

Systemes

**CableTalk**<sup>®</sup>

Systems Inc.

# Technical Manual

**Brampton, Ontario**

Ph: 905-791-9123

1-800-267-7282

Fax: 905-791-9126

**St. Laurent, Quebec**

Ph: 514-731-8886

1-877-731-8886

Fax: 514-731-3474

**Miami, Florida**

Ph: 905-789-2851

[www.cabletalk.com](http://www.cabletalk.com)

[solution@cabletalk.com](mailto:solution@cabletalk.com)



Your Premier Source for Cabinets,  
Racks and Solutions

# Table of Contents

Systèmes

**CableTalk**<sup>®</sup>  
Systems Inc.

<b>Cabinet Solutions - Overview</b>	Page 1
1.1 Preconfigured Kit Cabinet and 3100 Series Cabinet	Page 2
1.2 Frames: Standard, Colocation, Cable Trough Roof, Nema and Seismic	Page 6
1.3 Doors: Perforated, Lexan, Solid, Louvered and Extended	Page 16
1.4 Side Panels	Page 22
1.5 Shelves	Page 24
1.6 Mounting Angles	Page 25
1.7 Fan Assemblies	Page 27
1.7 Cabinet Accessories	Page 29
<b>Rack Solutions - Overview</b>	Page 31
2.1 2-Post Welded Rack	Page 32
2.2 Rack Shelves	Page 33
2.3 Racks with Cable Management Systems	Page 34
2.4 Fiber Rack	Page 36
2.5 Knock-Down Racks	Page 37
2.6 4-Post Rack	Page 38
2.7 Ganged Rack Solution - Legacy Product Line	Page 39
2.8 Ganged Rack Solution - High Density Product Line	Page 42
2.9 Magnum Racks	Page 46
<b>Wall Mount Solutions - Overview</b>	Page 47
3.1 Wall Mount Cabinet - Commercial, Industrial and Remote Premise Box	Page 48
3.2 Wall Mount Racks - Fixed and Swing Out	Page 54
3.3 Wall Mount Brackets and Hub Brackets	Page 58
<b>Cable Management Systems (CMS)</b>	
4.1 Cabinet Vertical CMS	Page 59
4.2 Horizontal CMS	Page 61
4.3 Rack CMS	Page 63
<b>Modular Furniture</b>	
5.1 Modular Frames	Page 64
5.2 Modular Table Tops	Page 66
5.3 Modular Shelves	Page 67
5.4 Modular Keyboard Shelf	Page 68
5.5 Modular Accessories	Page 69
<b>Power Solutions</b>	
6.1 Horizontal Power Bars	Page 70
6.2 Vertical Power Bars	Page 71
6.3 Metered Power Bars	Page 72
6.4 Shielded Cord Power Bars	Page 73
6.5 Grounding Bar and Bus Bars	Page 74
6.6 Utility Power Distribution Strip	Page 75
<b>Industrial Enclosures</b>	
7.1 Traffic Enclosures	Page 76
7.2 ShopTalk WorkBenches	Page 77
<b>Reference Material</b>	
8.1 Product Part ID	Page 78

Issue: 2X  
Rev: 0X  
March 2008

# Cabinet Overview

Systèmes

**CableTalk**<sup>®</sup>  
Systems Inc.



Note: All of our cabinets are fully customizable. If desired options are not listed, speak with your CableTalk distribution partner

CableTalk cabinet frames support the full line of CableTalk:

- Doors
- Side panels
- Shelves
- Mounting angles
- Cable Management System ("CMS")
- Power solutions
- Accessories:
  - Door Locks
  - Fan Assemblies
  - Casters, swivel and fixed
  - Cage nuts & screws
  - Ganging kit
  - Extension Chimneys
  - Cover Plates
  - Equipment Support Bracket

#### **Cabinet Kits**

- Various configurations available

#### **Frames**

- Various Sizes available
- Colocation
- Cable Trough Roof
- NEMA with air conditioning unit
- Seismic

#### **Doors**

- Solid doors
- Lexan-windowed doors
- Louvered doors
- Perforated doors
- Extended doors

#### **Side Panels**

- Solid side panels
- Perforated side panels
- Shelves
- Fixed-adjustable shelves
- Retractable shelves

#### **Mounting Angles**

- Tapped mounting angles
- Caged-nut mounting angles

#### **Cable Managers**

- Vertical cable management
- Horizontal cable management

#### **Power Solutions**

- Vertical power bars
- Horizontal power bars
- Utility Power Distribution Strip
- Grounding bars
- Metered power bars
- Shielded cord power bars
- Grounding bars and bus bars

#### **Accessories**

- Door locks
- Fan assemblies
- Casters
- Cage nuts & screws
- Ganging kit
- Extension Chimneys
- Cover plate
- Equipment Support Bracket



# Pre-Configured Kit Cabinet Solutions



## Options

Note: All of our cabinets are fully customizable. If desired options are not listed, speak with your CableTalk distribution partner.

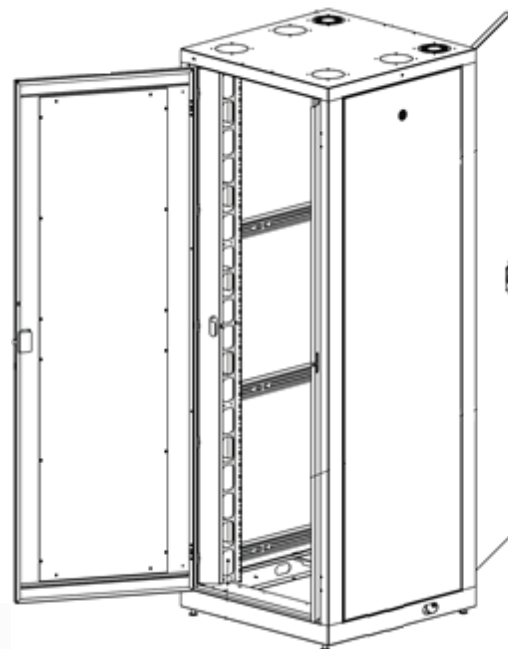
## Product Features

### Finish

- Durable black textured powder paint finish

### Structure

- Frame constructed of rugged 13GA steel
- 83" tall cabinet, with 44 U-Space of vertical capacity
- Various size options available for cabinet width and depth
- Solid or perforated side panel options
- Front and rear door options available
- Both front and back doors mount flush with the cabinet frame
- Vertical cable management options available
- 19" EIA standard mounting angle options available
- Includes 2 cooling fans and a vertical 12-outlet power bar
- Other options include additional fans, locking mechanisms, casters, ganging kit, overhead extension chimneys
- For exact configurations, see following page for Bill of Materials



CTC3-3036LK-02-B  
Shown

# Pre-Configured Kit Cabinet Solutions

## Standard Kit Contents

### CTC3-2430K-01-B Standard 24x30 Cabinet Assembly

Part No.	Description	Quantity
CTC3-2430-B	CABINET FRAME 24W X 30D X 83H	1
CTC3-24-01-B	LEXAN WINDOWED DOOR	1
CTC3-24-08-B	LOUVERED DOOR	1
CTC3-30-11-B	SOLID SIDE PANEL	2
CTC3-MA-22-B	MOUNTING ANGLE L-SHAPED 19 EIA (Set of 2)	1
CTPBV-1277-B	12 OUTLET POWER BAR	1
CTC-FA-2	FAN ASSEMBLY 2 POSITION	1

### CTC3-2442K-02-B Standard 24x42 Cabinet Assembly

Part No.	Description	Quantity
CTC3-2442-B	CABINET FRAME 24W x 42D x 83H	1
CTC3-24-01-B	LEXAN-WINDOWED DOOR	1
CTC3-24-06-B	SOLID DOOR FOR 24 CABINET	1
CTC3-42-11-B	SOLID SIDE PANEL, 42 WIDE	2
CTC3-CMS-33-B	VERTICAL CABLE MANAGER	2
CTC3-MA-22C-B	MOUNTING ANGLE CAGED 19EIA (Set of 2)	1
CTPBV-1277-B	12 OUTLET POWER BAR	1
CTC-FA-2	FAN ASSEMBLY 2 POSITION	1

### CTC3-3036LK-02-B Standard 30x36 Cabinet Assembly

Part No.	Description	Quantity
CTC3-3036-B	CABINET FRAME 30W x 36D x 83H	1
CTC3-30-01-B	LEXAN WINDOW DOOR	1
CTC3-30-08-B	LOUVERED DOOR	1
CTC3-36-11-B	SOLID SIDE PANEL	2
CTC3-CMS-11-B	VERTICAL CABLE MANAGER (Set of 2)	1
CTC3-MA-16C-B	MOUNTING ANGLE 19EIA CAGE NUT (Set of 2)	2
CTPBV-1277-B	12 OUTLET POWER BAR	1
CTC-FA-2	FAN ASSEMBLY 2 POSITION	1

### CTC3-3042LK-02-B Standard 30x42 Cabinet Assembly

Part No.	Description	Quantity
CTC3-3042-B	CABINET FRAME 30W x 42D x 83H	1
CTC3-30-01-B	LEXAN WINDOW DOOR	1
CTC3-30-08-B	LOUVERED DOOR	1
CTC3-42-11-B	SOLID SIDE PANEL	2
CTC3-CMS-11-B	VERTICAL CABLE MANAGER (Set of 2)	1
CTC3-MA-16C-B	MOUNTING ANGLE 19EIA CAGE NUT (Set of 2)	2
CTPBV-1277-B	12 OUTLET POWER BAR	1
CTC-FA-2	FAN ASSEMBLY 2 POSITION	1

# 3100 Series Pre-Configured Cabinet Solutions



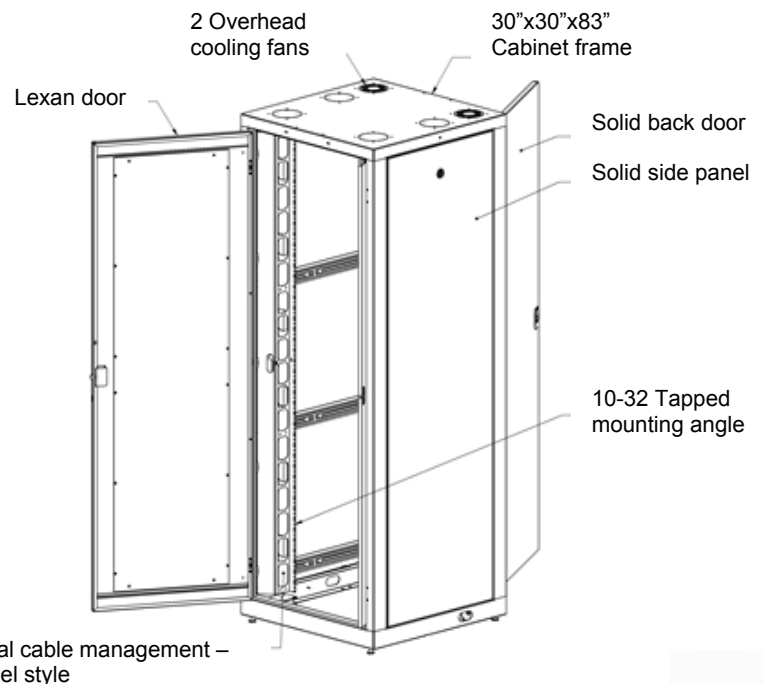
## Product Features

### Finish

- Durable black textured powder paint finish

### Structure

- Frame constructed of rugged 13GA steel
- 83" tall cabinet, with 44 U-Space of vertical capacity
- 2 Solid locking side panels for 30" deep cabinet
- Solid back door or louvered-plate back door for 30" wide cabinet
- Front door for 30" wide cabinet featuring a bronze-tinted lexan window. Comes standard with a recessed, keyed locking mechanism
- Both front and back doors mount flush with the cabinet frame
- 2 beveled full height vertical cable management channels with magnetic snap doors, mounted on either side of the front door
- 2 x 10-32 tapped, 19" EIA standard mounting angles with stamped U-spacing identification, suitable for front mount equipment
- Includes 2 top mounted 120mm, 97 cfm/fan cooling fans, and a 12-outlet vertical power bar



## Options

Back door options include:

- Solid door
- Louvered-plate door

# 3100 Series Pre-Configured Cabinet Solutions

## Kit Contents

### CTC3-3100L-B Cabinet Kit with Louvered Rear Door

Part No.	Description	Quantity
CTC3-3030-B	CABINET FRAME 30WX30DX83H	1
CTC3-30-01-B	LEXAN WINDOW DOOR	1
CTC3-30-08-B	LOUVERED-PLATE DOOR	1
CTC3-30-11-B	SOLID SIDE PANEL	2
CTC3-CMS-11-B	VERTICAL CABLE MANAGER (Set of 2)	1
CTC3-MA-16-B	MOUNTING ANGLES 19 EIA (Set of 2)	1
CTPBV-1277-B	12 OUTLET POWER BAR	1
CTC-FA-2	FAN ASSEMBLY 2 POSITION	1

### CTC3-3100S-B Cabinet Kit with Solid Rear Door

Part No.	Description	Quantity
CTC3-3030-B	CABINET FRAME 30WX30DX83H	1
CTC3-30-01-B	LEXAN WINDOW DOOR	1
CTC3-30-06-B	SOLID DOOR	1
CTC3-30-11-B	SOLID SIDE PANEL	2
CTC3-CMS-11-B	VERTICAL CABLE MANAGER (Set of 2)	1
CTC3-MA-16-B	MOUNTING ANGLES 19 EIA (Set of 2)	1
CTPBV-1277-B	12 OUTLET POWER BAR	1
CTC-FA-2	FAN ASSEMBLY 2 POSITION	1

# Standard Cabinet Frames

Systèmes

**CableTalk**<sup>®</sup>  
Systems Inc.



Mounting angles sold separately.  
Shown with optional caster plates

## Product Features

### Finish

- Durable black textured powder paint finish

### Structure

- Frame constructed of rugged 13GA steel
- Fully welded for rigidity
- 83" tall cabinet, with up to 44 U-Space of vertical capacity
- Comes standard with 4 adjustable leveling feet
- Maximum opening in the base of the cabinet
- Standard mounting locations for left or right opening doors
- Full horizontal adjustment for shelving and components
- Includes provisioning for 4 ground lugs (1 supplied)
- Includes provisioning for fans and cable entry on top

## Options

Standard cabinet frames support the full line of CableTalk:

- Doors
- Side panels
- Cover plates
- Mounting angles
- Shelves
- Cable Management System ("CMS")
- Power solutions
- Casters, swivel and fixed
- Ganging kit
- Cooling fans
- Extension Chimneys

Perforated top construction available  
Other sizes available on request

Note: All of our cabinets are fully customizable. If desired options are not listed, speak with your CableTalk distribution partner.





# Standard Cabinet Frames

Systèmes

**CableTalk**<sup>®</sup>  
Systems Inc.

## Standard Dimensions

### Standard Frames

Part No.	Description	Width (Inches)	Depth (Inches)	Height (Inches)	U-Space
CTC3-2430-B	24W x 30D x 83H FRAME	24	30	83	44
CTC3-2436-B	24W x 36D x 83H FRAME	24	36	83	44
CTC3-2442-B	24W x 42D x 83H FRAME	24	42	83	44
CTC3-3030-B	30W x 30D x 83H FRAME	30	30	83	44
CTC3-3036-B	30W x 36D x 83H FRAME	30	36	83	44
CTC3-3042-B	30W x 42D x 83H FRAME	30	42	83	44

### Caster Plate Kits

Part No.	Description	Width (Inches)
CTC-K-48-24CAB	CASTER PLATE KIT FOR 24W CABINET	24
CTC-K-48-30CAB	CASTER PLATE KIT FOR 30W CABINET	30

Caster plate must be specified at time of purchase for factory installation.

Caster option ordered with frame will be factory installed



CTC3-3036-B

# Co-location Cabinet Frames



## Product Features

### Finish

- Durable black textured powder paint finish

### Structure

- Frame constructed of rugged 13GA steel
- Fully welded for rigidity
- 83" tall cabinet, with up to 44 U-Space of vertical capacity
- Secure compartments for multiple customers
- Ideal for data center environments
- Built standard with perforated roofs
- Maximum opening in the base of the cabinet
- Standard mounting locations for left or right opening doors
- Provisions for 4 ground lugs (1 supplied)
- Provisions for fans and cable entry on top
- Provisions for ½ or full height doors
- Provisions for cable pass through for ganging situations. Comes with tamper proof cover plates.



## Options

Co-location cabinet frames support the line of:

- Doors, full and half height
- Locks, push button or TracAccess (keyless entry with wireless audit trail)
- Side panels, perforated or solid
- Cover plates
- Mounting angles, full and half height
- Shelves
- Cable Management System ("CMS"), full and half height
- Power solutions
- Ganging kit
- Cooling fans

Note: All of our cabinets are fully customizable. If desired options are not listed, speak with your CableTalk distribution partner

Co-location cabinets are available with 4 compartments upon request.



Lower Compartment shelf sold separately

# Co-Location Cabinet Frames

## Standard Dimensions

### Co-location Frames

Part No.	Description	Width (Inches)	Depth (Inches)	Height (Inches)	U-Space
CTC3-2436-CLP-B	24W x 36D x 83H CO-LOCATION FRAME PERFORATED TOP	24	36	83	44
CTC3-3036-CLP-B	30W x 36D x 83H CO-LOCATION FRAME PERFORATED TOP	30	36	83	44

Co-location frames do not come with casters or levelers.

### Co-location Components

Co-location cabinets can be assembled as 1 or 2 compartments units. Below are items for each scenario.

		Frames	
		CTC3-2436-CLP-B	CTC3-3036-CLP-B
Use in 2-compartment cabinets	1/2 perf door with 10 push button	CTC3-24-0250PF-B	CTC3-30-0250PF-B
	Side panels, perforated, 2 - 4" cut outs	CTC3-36-13-CLP	CTC3-36-13-CLP
	Mounting angles, 37" high, tapped 10-32 or cage nut 10-32	CTC4-MA-22-50-B	CTC3-MA-16-50-B
		CTC4-MA-22C-50-B	CTC3-MA-16C-50-B
	Cable Manager, 83" high, 1/2 cover door	CTC3-CMS-37-B	CTC3-CMS-37-B
	Divider panel	CTC3-DIVD-2233-CLP	CTC3-DIVD-2833-CLP
	Floor panel	CTC-2436-43-B	CTC-3036-43-B
	Mounting plate (for floor panel)	CTC-48-24-B	CTC-48-30-B
Use in 1-compartment cabinets	Full perforated door with TracAccess lock	CTC3-24-01PFT-B	CTC3-30-01PFT-B
	Full perforated door with 10 push button lock	CTC3-24-02PF-B	CTC3-30-02PF-B
	Side panels, perforated, 2 - 4" cut outs	CTC3-36-13-CLP	CTC3-36-13-CLP
	Mounting angles, 77" high, tapped 10-32 or cage nut 10-32	CTC3-MA-22-B	CTC3-MA-16-B
		CTC3-MA-22C-B	CTC3-MA-16C-B
	Cable Manager, 83" high	CTC3-CMS-37-B	CTC3-CMS-37-B
	Cover plate	CTC-54-B	CTC-54-B
	Power bar, 6 outlet, 7' cord	CTPBH-0619-B	CTPBH-0619-B
	Power bar, 6 outlet, 15' cord	CTPBH-0619-15-B	CTPBH-0619-15-B

Options on power bars are available.

# Cable Trough Cabinet Frame

Systèmes

**CableTalk**<sup>®</sup>  
Systems Inc.



CTC3-3042-CT-B  
Shown with cable troughs closed

## Product Features

### Finish

- Durable black textured powder paint finish

### Structure

- Frame constructed of rugged 13GA steel
- Fully welded for rigidity
- 83" tall cabinet, with up to 44 U-Space of vertical capacity
- Includes integrated cable trough roof construction, for improved overhead management, and alleviation of congest from the common patch field.
  - Two separate raceways allow for segregation of copper and fiber;
  - Gentle slopping waterfalls ensures appropriate CAT6 cable and fiber bend radii
  - Cable troughs raceways come complete with 4 removable end caps
- Maximum opening in the base of the cabinet
- Standard mounting locations for left or right opening doors
- Includes provisioning for 4 ground lugs (1 supplied)
- Comes standard with 4 adjustable leveling feet

## Options

Standard cabinet frames support the full line of CableTalk products:

- Doors
- Side panels
- Cover plates
- Mounting angles
- Shelves
- Cable Management System ("CMS")
- Power solutions
- Casters, swivel and fixed
- Ganging kit
- Cooling fans
- Extension Chimneys

Perforated top construction available

Other sizes available on request



CTC3-3042-CT-B  
Shown with cable troughs open



# Cable Trough Cabinet Frame

For high density cable installations:

- Offset mounting angles are available –
  - CTC3-MA-14-FL-B tapped style with fibre loop capability
  - CTC3-MA-14C-FL-B, cage nut style with fibre loop capability.
 Fibre Loops are sold separately.
- Offset mounting angles are to be used with CTC3-MA-22-B tapped style and CTC3-MA-22C-B cage nut style in order to maintain 19" EIA mounting.
- High Density Channel Style Cable Manager is available – CTC3-CMS-13-B and used in conjunction with the offset mounting angles
- Gentle waterfalls, CTC3-CMS-13-SR-B, are available for use on CTC3-CMS-13-B to maintain appropriate bend radius. Sold in box of 10 pieces.

Note: All of our cabinets are fully customizable. If desired options are not listed, speak with your CableTalk distribution partner

## Standard Dimensions

### Cable Trough Frames

Part No.	Description	Width (Inches)	Depth (Inches)	Height (Inches)	U-Space
CTC3-3036-CT-B	30W x 36D x 83H CABLE TROUGH FRAME	30	36	83	44
CTC3-3042-CT-B	30W x 42D x 83H CABLE TROUGH FRAME	30	42	83	44



CTC3-3042-CT-B  
Shown with cable troughs closed

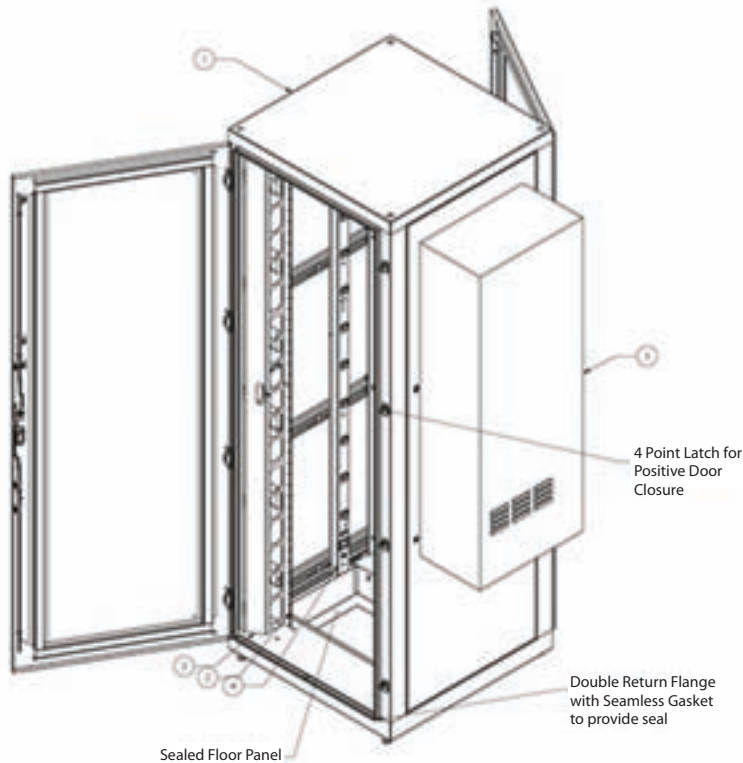


CTC3-3042-CT-B  
Shown with cable troughs open

# Nema Cabinet

Systèmes

**CableTalk**  
Systems Inc.



## Product Features

### Finish

- Durable black textured powder paint finish

### Structure

- Frame constructed of rugged 13GA steel
- To maintain dust free environment, cabinet comes standard with:
  - Double return flange with seamless gasket to provide seal with doors
  - 4 point latch securely closes and locks door to frame
  - The bottom of the cabinet is sealed by using one of two items:
    - flat floor panel attaches to mounting plates and comes standard
    - sealed floor panel (box shaped) attaches to mounting plates and rests on floor. This panel allows for cable access & is sold separately.
- Side panels bolted in 4 places
- Cabinet assembly will include a solid front and rear door, one solid side panel and one side panel with cutout for air condition unit (available in 4000, 8000, 12000 BTU). Air condition unit will be factory installed.
- If no air condition unit is required, two solid side panels can be supplied.

## Options

NEMA cabinet frames support the CableTalk products:

- Mounting angles – tapped or cage nut style
- Cable management systems
- Power solutions
- Shelves

### Sample Nema Cabinet Configuration

All items sold separately

NO.	ITEM NUMBER	DESCRIPTION	QTY
1	CTC3-3036K-122A-B	30"x30"x83" Nema 12 Frame, Solid Front & Rear Doors, 1 Solid Side Panel & 1 Solid Side Panel with A/C Access Hole	1
2	CTC3-MA-16-B	Tapped 10-32 Mounting Angles	2 sets
3	CTC3-CMS-11-B	Vertical Cable Manager	1 set
4	NGPMV-1277-20A-ST-15-B	12 Outlet Metered Power Bar	2
5	Air condition unit	4000, 8000 or 12000 BTU Side Mount Air Conditioner Available	1

# Nema Cabinet

## Standard Dimensions

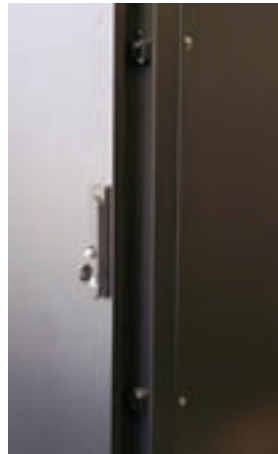
### Nema 12 Cabinet Assembly

Part No.	Description	Qty
CTC3-3036K-122A-B	30"x30"x83" Nema 12 Frame, Solid Front & Rear Doors, 1 Solid Side Panel & 1 Solid Side Panel with A/C Access Hole	1
CTC3-3036K-122-B	30"x30"x83" Nema 12 Frame, Solid Front & Rear Doors, 2 Solid Side Panels	1
CTC3-3036-N12FS-B	Nema 12 Floor Seal for 3036 cabinet	1

Double return flange with seamless gasket

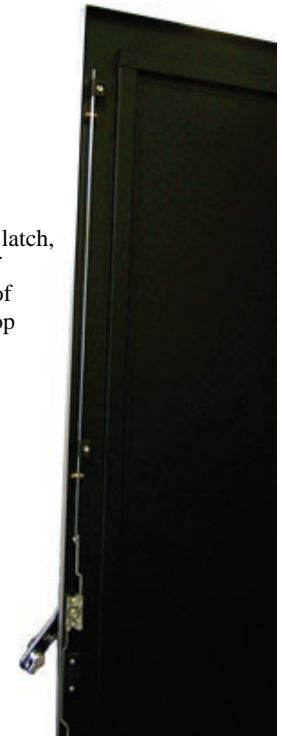


4 point latch closure



4 point latch installed on door, door ajar showing closures

4 point latch, view of inside of door, top portion



Sealed floor panel



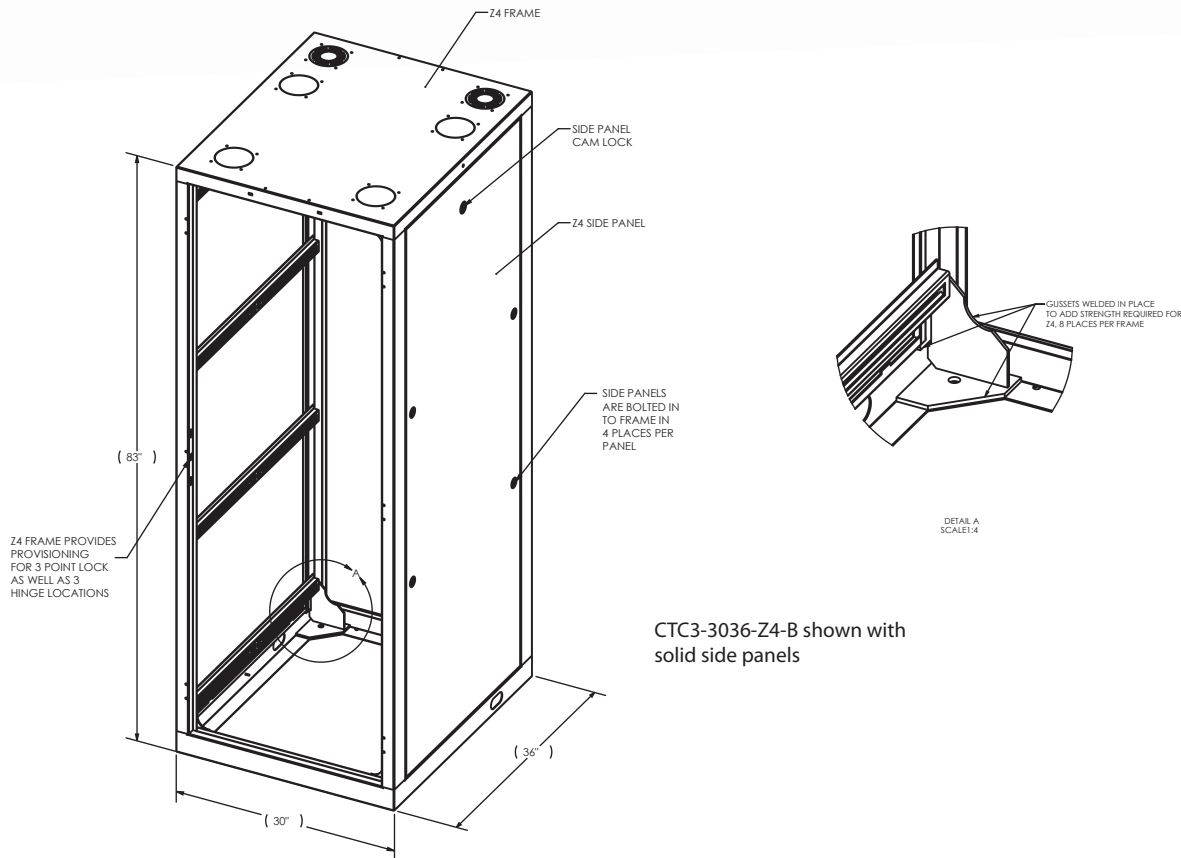
View of inside door showing 4 point latch mechanism, and flange, gasket and closure on frame



# Seismic Zone 4 Cabinet Frame

Systèmes

**CableTalk**<sup>®</sup>  
Systems Inc.



CTC3-3036-Z4-B shown with solid side panels

## Product Features

### Finish

- Durable black textured powder paint finish

### Structure

- Frame constructed of rugged 13GA steel
- Each frame has gussets welded in 8 places for added strength
- Fully welded for rigidity
- 83" tall cabinet, with up to 44 U-Space of vertical capacity
- Third party certified for Zone 4 requirements
- Requires specific doors and sides panels for Zone 4 requirements
- Doors must be equipped with 3 point locks, see pictures on next page
- Side panels bolt to frame in 4 places
- Includes provisioning for 4 ground lugs (1 supplied)
- Cabinet frame must bolt to floor

## Options

Zone 4 rated cabinet frames support the CableTalk products:

- Cover plates
- Mounting angles
- Shelves
- Cable Management System ("CMS")
- Power solutions
- Cooling fans



# Seismic Zone 4 Cabinet Frame

## Standard Dimensions

### Zone 4 Rated Cabinet Frame

Part No.	Description	Width (Inches)	Depth (Inches)	Height (Inches)	U-Space
CTC3-3036-Z4-B	30W x 36D x 83H ZONE 4 CABINET FRAME	30	36	83	44

### Required Items for Zone 4 Frame

	Description	Part No.	Cabinet Size (Inches)	Height (Inches)
DOOR	LEXAN WINDOWED DOOR WITH 3 POINT LOCK	CTC3-30-013P-Z4-B	30" W	83
	SOLID DOOR WITH 3 POINT LOCK	CTC3-30-063P-Z4-B	30" W	83
	LOUVERED DOOR WITH 3 POINT LOCK	CTC3-30-083P-Z4-B	30" W	83
SIDE	SOLID SIDE PANEL	CTC3-36-11Z4-B	36" D	83



View of bottom half inside door, showing 3 point lock mechanism

# Perforated Cabinet Doors



CTC3-30-01-PF-B  
Perforation pattern as shown  
above left

## Product Features

### Finish

- Durable black textured powder paint finish

### Structure

- Fabricated of 16 GA (0.060") steel
- Welded corners for added rigidity
- Comes standard with flush-mounted locking handle, other options available
- Reversible right and left-hand swing with replacement hinges (Hinge, ML06)
- Recessed doors mount flush with frame
- 16GA Steel door stiffeners welded in 4 places for added rigidity

Note: Unless otherwise specified, all doors ship from factory left-hand swing. Consult manufacturer for details/ instructions to reverse.

## Options

- Security options include:
  - Standard locking flush-mounted handles
  - Push Button Locks
  - Dial Combination / key lock
  - Electronic Access Control Locks
- Extended door available with 2" depth extension for front side clearance
- Barn door style available for applications that require a lower profile in the aisle

Note: All of our cabinets are fully customizable. If desired options are not listed, speak with your CableTalk distribution partner

## Standard Dimensions

### 24" Width perforated door

Part No.	Lock type	Door Style	Cabinet Height (inches)
CTC3-24-01-PF-B	Flush-mounted	Perforated	83
CTC3-24-013PF-B	3 Point	Perforated	83
CTC3-24-013PFH-B	3 Point w/ hasp	Perforated	83
CTC3-24-01PFT-B	Trac-Latch	Perforated	83
CTC3-24-02PF-B	Push-Button	Perforated	83
CTC3-24-03PF-B	Flush-mounted	Perforated, barn door	83

### 30" Width perforated door

Part No.	Lock type	Door Style	Cabinet Height (inches)
CTC3-30-01-PF-B	Flush-mounted	Perforated	83
CTC3-30-013PF-B	3 Point	Perforated	83
CTC3-30-013PFH-B	3 Point w/ hasp	Perforated	83
CTC3-30-01PFT-B	Trac-Latch	Perforated	83
CTC3-30-02PF-B	Push-Button	Perforated	83
CTC3-30-03PF-B	Flush-mounted	Perforated, barn door	83

# Lexan Windowed Cabinet Doors



CTC3-30-01-B



## Product Features

### Finish

- Durable black textured powder paint finish

### Structure

- Fabricated of 16 GA (0.060") steel
- Welded corners for added rigidity
- Comes standard with flush-mounted locking handle, other options available
- Reversible right and left-hand swing with replacement hinges (Hinge, ML06)
- Recessed doors mount flush with frame
- Window held in place with 16GA steel retainers
- 16GA Steel door stiffeners welded in place top and bottom for added rigidity

Note: Unless otherwise specified, all doors ship from factory left-hand swing. Consult manufacturer for details/ instructions to reverse.

## Options

- Security options include:
  - Standard locking flush-mounted handles
  - Push Button Locks
  - 3-pt and 4-pt locking doors for NEMA applications
  - Dial Combination / key lock
  - Electronic Access Control Locks
- Gasketed window available for NEMA applications
- Extended door available with 2" depth extension for front side clearance

## Standard Dimensions

### 24" Width lexan door

Part No.	Lock type	Door Style	Cabinet Height (inches)
CTC3-24-01-B	Flush-mounted	Lexan Window, solid door	83
CTC3-24-02-B	Push-Button	Lexan Window, solid door	83
CTC3-24-013P-B	3 Point	Lexan window, solid door	83

### 30" Width lexan door

Part No.	Lock type	Door Style	Cabinet Height (inches)
CTC3-30-01-B	Flush-mounted	Lexan window, solid door	83
CTC3-30-013P-B	3 Point	Lexan window, solid door	83
CTC3-30-013PH-B	3 Point w/ Hasp	Lexan window, solid door	83
CTC3-30-01T-B	Trac-Latch	Lexan window, solid door	83
CTC3-30-02-B	Push-Button	Lexan window, solid door	83
CTC3-30-03-B	Flush-mounted	Lexan window, barn door	83
CTC3-30-04-B	Flush-mounted	Lexan Window, vented door	83

# Solid Cabinet Door

Systèmes

**CableTalk**<sup>®</sup>  
Systems Inc.



CTC3-30-06-B



## Product Features

### Finish

- Durable black textured powder paint finish

### Structure

- Fabricated of 16 GA (0.060") steel
- Welded corners for added rigidity
- Comes standard with flush-mounted locking handle, other options available
- Reversible right and left-hand swing with replacement hinges (Hinge, ML06)
- Recessed doors mount flush with frame

Note: Unless otherwise specified, all doors ship from factory left-hand swing. Consult manufacturer for details/ instructions to reverse.

## Options

- Security options include:
  - Standard locking flush-mounted handles
  - Push Button Locks
  - 3-pt and 4-pt locking doors for NEMA applications
  - Dial Combination / key lock
  - Electronic Access Control Locks
- Barn door style available for applications that require a lower profile in the aisle

Note: All of our cabinets are fully customizable. If desired options are not listed, speak with your CableTalk distribution partner

## Standard Dimensions

### 24" Width Solid door

Part No.	Lock Type	Door Style	Cabinet Height (inches)
CTC3-24-06-B	Flush-mounted	Solid	83

### 30" Width Solid door

Part No.	Lock Type	Door Style	Cabinet Height (inches)
CTC3-30-06-B	Flush-mounted	Solid	83
CTC3-30-062-B	Push-Button	Solid	83
CTC3-30-063P-B	3 Point	Solid	83
CTC3-30-063PH-B	3 Point w/ Hasp	Solid	83
CTC3-30-06T-B	Trac-Latch	Solid	83
CTC3-30-036-B	Flush-mounted	Barn	83

# Louvered Cabinet Door

Systèmes

**CableTalk**<sup>®</sup>  
Systems Inc.



CTC3-30-08-B  
Louvers shown in top mount position



CTC3-30-08-B  
Louvers shown in bottom mount position

## Product Features

### Finish

- Durable black textured powder paint finish

### Structure

- Fabricated of 16 GA (0.060") steel
- Welded corners for added rigidity
- Reversible louver plates for top or bottom mount positions. Louver plate comes standard in bottom mount position, solid plate in top mount position
- Large, 3" stamped louvers
- Comes standard with flush-mounted locking handle, other options available
- Reversible right and left-hand swing with replacement hinges (Hinge, ML06)
- Recessed doors mount flush with frame

Note: Unless otherwise specified, all doors ship from factory left-hand swing. Consult manufacturer for details/ instructions to reverse.

## Options

- Security options include:
  - Standard locking flush-mounted handles
  - Push Button Locks
  - Dial Combination / key lock
  - Electronic Access Control Locks
- Optional louver filter kit (CTC-DF-50-AL)

Note: All of our cabinets are fully customizable. If desired options are not listed, speak with your CableTalk distribution partner

## Standard Dimensions

### 24" Width louvered door

Part No.	Lock type	Door Style	Cabinet Height (inches)
CTC3-24-08-B	Flush-mounted	Louvered door	83
CTC3-24-082-B	Push-Button	Louvered door	83

### 30" Width louvered door

Part No.	Lock type	Door Style	Cabinet Height (inches)
CTC3-30-08-B	Flush-mounted	Louvered door	83
CTC3-30-082-B	Push-Button	Louvered door	83
CTC3-30-083P-B	3 Point	Louvered door	83
CTC3-30-083PH-B	3 Point w/ hasp	Louvered door	83

# Extended Perforated Cabinet Door



CTC3-30-04PF-EXT-B



CTC3-30-04PF-EXT-B  
Perforation pattern as shown on perforated doors

## Product Features

### Finish

- Durable black textured powder paint finish

### Structure

- Fabricated of 16 GA (0.060") steel
- Welded corners for added rigidity
- 2" Depth extension extends from front face of door to accommodate cabling needs. Covers full equipment width
- Comes standard with flush-mounted locking handle, other options available
- Reversible right and left-hand swing with replacement hinges (Hinge, ML06)
- Recessed doors mount flush with frame
- Perforation held in place with 16GA steel retainers

Note: Unless otherwise specified, all doors ship from factory left-hand swing. Consult manufacturer for details/ instructions to reverse.

## Options

- Security options include:
  - Standard locking flush-mounted handles
  - Push Button Locks
  - Dial Combination / key lock
  - Electronic Access Control Locks

## Standard Dimensions

### 24" Width Extended perforated door

Part No.	Lock type	Door Style	Cabinet Height (inches)	Cabinet Width (Inches)
CTC3-24-04PF-EXT-B	Flush-mounted	2" Extended perforated window door	83	24

### 30" Width Extended perforated door

Part No.	Lock type	Door Style	Cabinet Height (inches)	Cabinet Width (Inches)
CTC3-30-04PF-EXT-B	Flush-mounted	2" Extended perforated window door	83	30

# Extended Lexan Cabinet Door

Systèmes

**CableTalk**<sup>®</sup>  
Systems Inc.



CTC3-30-04-EXT-B



## Product Features

### Finish

- Durable black textured powder paint finish

### Structure

- Fabricated of 16 GA (0.060") steel
- Welded corners for added rigidity
- 2" Depth extension extends from front face of door to accommodate cabling needs. Covers full equipment width
- Comes standard with flush-mounted locking handle, other options available
- Reversible right and left-hand swing with replacement hinges (Hinge, ML06)
- Recessed doors mount flush with frame
- Window held in place with 16GA Steel retainers

Note: Unless otherwise specified, all doors ship from factory left-hand swing. Consult manufacturer for details/ instructions to reverse.

## Options

- Security options include:
  - Standard locking flush-mounted handles
  - Push Button Locks
  - Dial Combination / key lock
  - Electronic Access Control Locks

## Standard Dimensions

### 24" Width Extended lexan window door

Part No.	Lock type	Door Style	Cabinet Height (inches)	Cabinet Width (Inches)
CTC3-24-04-EXT-B	Flush-mounted	2" Extended Lexan Window, vented on angles	83	24

### 30" Width Extended lexan window door

Part No.	Lock type	Door Style	Cabinet Height (inches)	Cabinet Width (Inches)
CTC3-30-04-EXT-B	Flush-mounted	2" Extended Lexan Window, vented on angles	83	30

# Side Panels

Systèmes

**CableTalk**  
Systems Inc.



CTC3-30-11-B  
Solid Side Panel



CTC3-30-11PF-B  
Perforated Side Panel



CTC3-30-11-B  
Solid Side Panel



CTC3-30-11PF-B  
Perforated Side Panel

## Product Features

### Finish

- Durable black textured powder paint finish

### Structure

- Fabricated of 18 GA (0.048") steel
- Recessed side panels mount flush with frame
- Key locks to frame

## Options

- Side panels are available in solid or perforated styles
- Side panels available for colocation cabinets
- Side panels available with cut-outs to accommodate A/C units

## Standard Dimensions

### Solid Panels

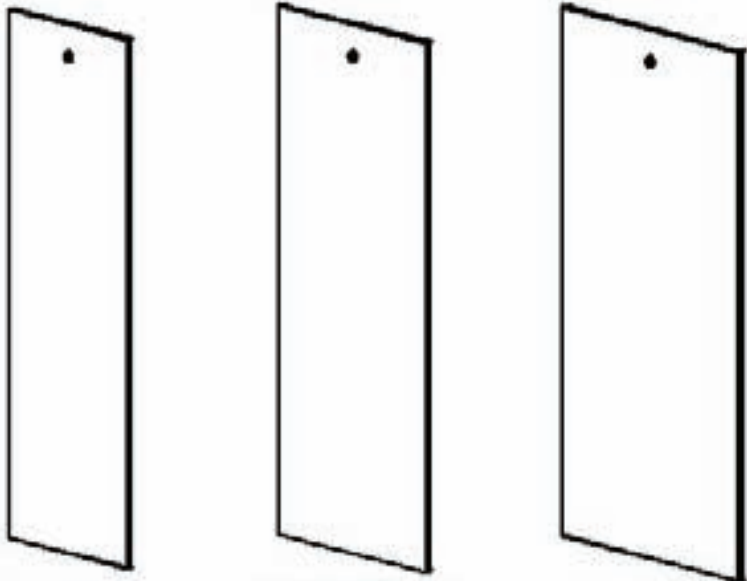
Part No.	Style	Cabinet Depth (inches)	Cabinet Height (inches)
CTC3-30-11-B	Solid side panel	30	83
CTC3-36-11-B	Solid side panel	36	83
CTC3-42-11-B	Solid side panel	42	83
CTC3-36-11Z4-B	Seismic Zone 4 side panel	36	83

### Perforated Panels

Part No.	Style	Cabinet Depth (inches)	Cabinet Height (inches)
CTC3-30-11PF-B	Perforated side panel	30	83
CTC3-36-11PF-B	Perforated side panel	36	83
CTC3-36-13-CLP	Colocation Perforated side panel, 2-4" cut outs	36	83



# Side Panels



Part No.	Cabinet Depth A (inches)	Cabinet Height B (inches)
CTC3-30-11-B	30	83
CTC3-36-11-B	36	83
CTC3-42-11-B	42	83

# Cabinet Shelves

Systèmes

**CableTalk**  
Systems Inc.

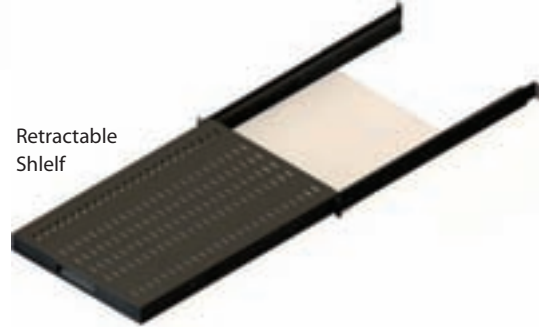
Fixed-Adjustable Shelf



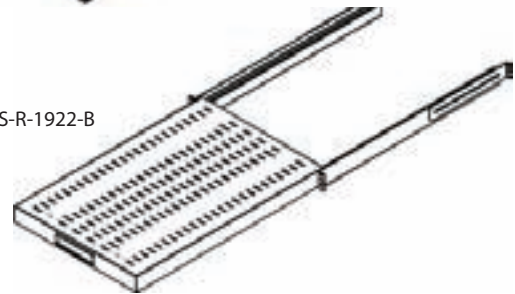
CTCS-FAJ-1827-B



Retractable Shelf



CTCS-R-1922-B



## Product Features

### Finish

- Durable black smooth paint finish, easily cleaned

### Structure

- Fabricated of 16 GA (0.060") steel
- All cabinet shelves are configured for 4 post mounting for greater stability
- All cabinet shelves have patterned hole punches for improved airflow
- 2 U-space required for all shelves
- All shelves supplied with screws
- Other size screws available on request

## Options

- Available in fixed-adjustable, retractable and rack fixed styles
- Heavy duty retractable shelves available
- Divider panels available, rated for no load
- Other sizes available on request

## Standard Dimensions

### Fixed-Adjustable Shelves

Part No.	Style	Mounting Depth (Inches)	Mounting Width (EIA)
CTCS-FAJ-1822-B	Vented platform	21-26.75	19
CTCS-FAJ-1827-B	Vented platform	26.5-31.5	19
CTCS-FAJ-1833-B	Vented platform	32.5-37.5	19

### Fixed-Adjustable Shelf Compatibility Chart

Frame No.	CTCS-FAJ-1822-B	CTCS-FAJ-1827-B	CTCS-FAJ-1833-B
CTC3-2430-B	Yes	No	No
CTC3-2436-B	Yes	Yes	No
CTC3-2442-B	Yes	Yes	Yes
CTC3-3030-B	Yes	Yes	No
CTC3-3036-B	Yes	Yes	Yes
CTC3-3042-B	Yes	Yes	Yes

### Retractable Shelves

Part No.	Style	Platform Depth (inches)	Mounting Width (EIA)
CTCS-R-1922-B	Vented platform	22	19
CTCS-R-1927-B	Vented platform	27	19

# Cabinet Mounting Angles

Systèmes

**CableTalk**  
Systems Inc.



CTC3-MA-16-B  
10-32 Tapped Style



CTC3-MA-16C-B  
Cage Nut Style



CTC3-MA-22-B  
10-32 Tapped Style



CTC3-MA-22C-B  
Cage Nut Style



CTC3-MA-14C-FL-B  
10-32 Tapped Style  
High Density

## Product Features

### Finish

- Durable black textured powder paint finish

### Structure

- 10-32 Tapped mounting angles fabricated of 11 GA (0.120") steel, Cage nut style fabricated of 13 GA (0.090"), to support 19" EIA standard components, such as shelves, electronic equipment, patch panels, and server units
- Sold in sets of 2
- Mounting angles include permanently marked U-spacing identification
- Standard screw for tapped angles: 10-32 x 0.5" Length black Robertson/slot combination pan head machine screw. Screws sold separately.
- Follows EIA 310-D universal hole spacing

NOTE: Cable access holes standard on mounting angles for 30" width cabinets

### High Density Mounting Angle –

- Available in tapped, CTC3-MA-14-FL-B or cage nut, CTC3-MA-14C-FL-B, both with fibre loop capability
- Ideal for use in high density cable installation
- Use in 30" wide cabinets only, mounting angle offset required.
- Use in combination with CTC3-MA-22-B, either tapped or cage nut to maintain 19"EIA
- Large cable access holes
- Use of High Density Cable Management, CTC3-CMS-13-B, is recommended.
- In order to reduce air flow, filler panels, CTC3-MA-14FL-FP-B, are available to cover the access holes in the CTC3-CMS-13-B vertical cable manager. The filler panels mount to CTC3-MA-14-FL-B offset mounting angle.

## Standard Dimensions

### 10-32 Tapped Mounting Angles

Part No.	Style	Cabinet Width (inches)	Mounting Angle Height (Inches)	Mounting Angle Height (U-space)
CTC3-MA-14-FL-B	19" EIA L Shape	30	77	43
CTC3-MA-16-B	19" EIA L Shape	30	77	43
CTC3-MA-16-50-B	19" EIA L Shape	30	37	20
CTC3-MA-17-B	23" EIA L Shape	30	77	43
CTC3-MA-22-B	19" EIA L Shape	24	77	43
CTC4-MA-22-50-B	19" EIA L Shape	24	37	20

### Cage Nut Mounting Angles

Part No.	Style	Cabinet Width (inches)	Mounting Angle Height (Inches)	Mounting Angle Height (U-space)
CTC3-MA-14C-FL-B	19" EIA L Shape	30	77	43
CTC3-MA-16-50C-B	19" EIA L Shape	30	37	20
CTC3-MA-16C-B	19" EIA L Shape	30	77	43
CTC4-MA-22C-50-B	19" EIA L Shape	24	37	20
CTC3-MA-22C-B	19" EIA L Shape	24	77	43

# Cabinet Mounting Angles

Systèmes

**CableTalk**<sup>®</sup>  
Systems Inc.

## Options

- Available in 10-32 tapped or cage nut style
- Cage nuts available in 10-32 and 12-24
- Fibre loops available

## Accessories

Part No.	Name	Quantity
NUT-CAGED-10-32K	Nut, Caged 10-32	100/bag
NUT-CAGED-12-24K	Nut, Caged 12-24	100/bag
SCREW, 10-32-K	Robertson-Flat Comb. Drive	100/bag
SCREW, 12-24-K	Robertson-Flat Comb. Drive	100/bag
CT-FL-3-B	Fibre Loop, 1.2"x3"x2.3	-
CT-FL-5.5-B	Fibre Loop, 2.5"x5.5"x2.5"	-

# Fan Assemblies

Systèmes

**CableTalk**<sup>®</sup>  
Systems Inc.



## Product Features

- 120mm, 97 cfm cooling fans
- Available in 1,2, or 4 fan position mount on a single power cord
- Fits fan knock-outs on all cabinets
- Includes wire guard

### Fans

- 120 x 120 x 38.5mm aluminum frame
- Rated for 110 V AC 50/60 Hz
- 2500 / 2700 RPM
- 97 / 107 CFM (Max. at zero static pressure)
- 0.23 / 0.26 Inch H<sub>2</sub>O (Max. at zero air flow)
- 46.4 / 48.1 dB for minimal noise
- Terminal connections

### Cord Set

- Standard grounded plug
- 5' cord
- 22 additional inches between fan connectors
- Connects to terminal type connections on fans
- Cannot be sold separately

## Options

- Available 1, 2 or 4 fan assemblies
- Fan filter assembly, CTC-FF, and Finger Guards, CT-FG, can be installed with the fan assemblies and are sold separately.

Note: All fan assemblies are compliant with all CableTalk installations

## Standard Dimensions

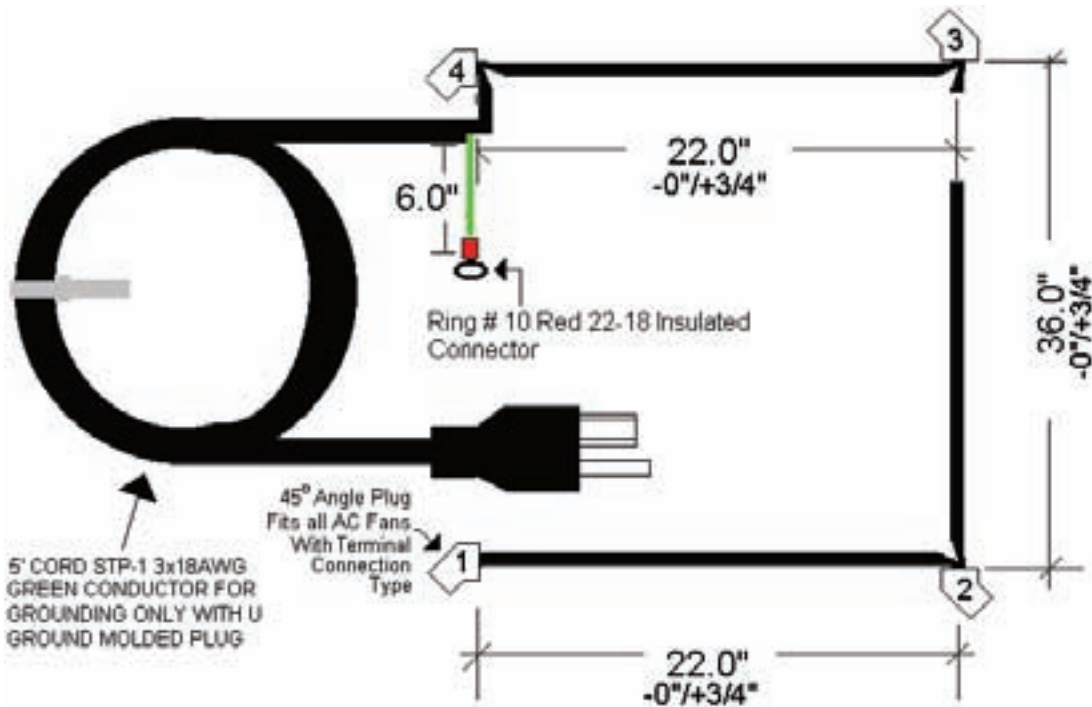
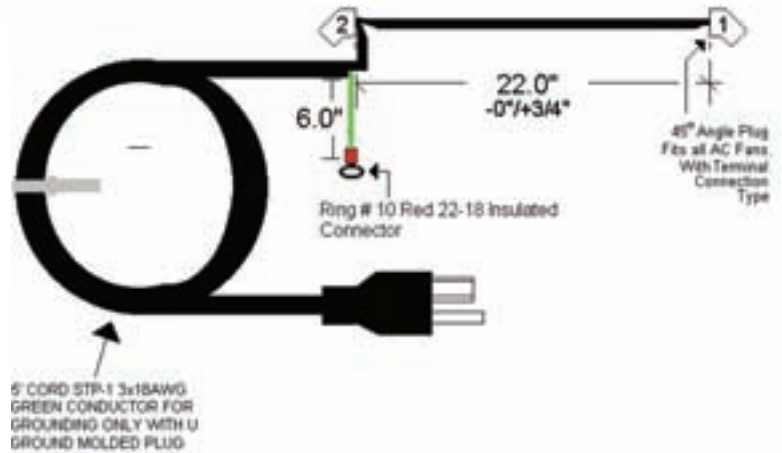
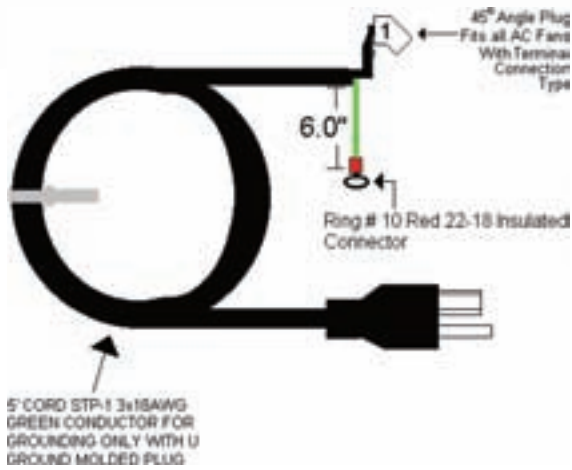
### Fan assemblies

Part No.	Style	Kit includes
CTC-FA-1	1 position	1 position cord set, 1 fan
CTC-FA-2	2 position	2 position cord set, 2 fans
CTC-FA-4	4 position	4 position cord set, 4 fans

# Fan Assemblies

Systèmes

**CableTalk**  
Systems Inc.



# Cabinet Accessories

Systèmes

**CableTalk**<sup>®</sup>  
Systems Inc.

## Door Locks



### GE Access-Trac Lock

- Allows the user to track, audit and record every authorized entry by location, date and time
- Ideal for local, remote or multiple access sites where authorized personnel is essential.
- Ensures key control, access control and access tracking with complete activity analysis.



### Standard Flush-mounted keyed lock

- Flush-mounted keyed lock comes standard on all cabinets



### 3 point NEMA style lock

- 3 pt. Locks for NEMA environment applications available with or without hasp



### Push-Button lock

- Flush-mounted push-button lock



### Key/Combination lock

- Opened with dial combination or a key. Different keying options available

## Casters & Leveling Feet



### Casters

- 3" Swivel and 3" Fixed casters available in sets of 4, kit includes caster mounting plate
- 600 lb capacity

### Leveling Feet

- 1/2-13 thread
- 3" Length
- Custom off-set leveling wrench available

# Cabinet Accessories

## Screws & Cage Nuts

Screws and Caged nuts available,  
 Nut, Caged 10-32 K, bag of 100  
 Nut, Caged 12-24 K, bag of 100  
 Screw, 10-32 K, bag of 100  
 Screw, 12-24 K, bag of 100

## Ganging Kit

CTC-GK-60-B  
 Used to gang multiple cabinets together  
 Kit includes bolt, nut, 2 washers and ground lug

## Extension Chimney

Available in 24" length, CMS-EXT-24-B, and 36" length,  
 CMS-EXT-36-B

## Cover Plate

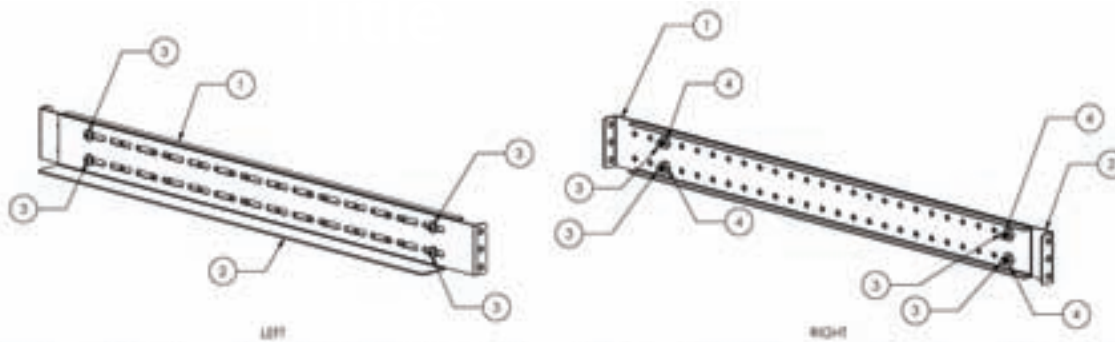
CTC-44-B  
 Used to seal fan and cable access holes on the top of the cabinet

## Equipment Support Bracket

CTCS-FAJ-SUP-BKT-1UB  
 Provides added support to heavy equipment installed in cabinets

Specs include:

- 4 position mounting
- 1.25" lip
- Adjusts from 21" to 36" along depth of cabinet
- Sold in sets of 2



ITEM NO.	PART NUMBER	DESCRIPTION	MIN/QTY.
1	CTCS-FAJ-SUP-BKT-1U-B-001		1
2	CTCS-FAJ-SUP-BKT-1U-B-002		1
3	SCREW MACH FINE ROB CAM 10-32 X .500 BLACK ZINC	Machine screw	4
4	NUT KEPS 10-32I	Keeps Nut	4

ITEM NO.	PART NUMBER	DESCRIPTION	MIN./QTY.
1	CTCS-FAJ-SUP-BKT-1U-B-001		1
2	CTCS-FAJ-SUP-BKT-1U-B-002		1
3	SCREW MACH FINE ROB CAM 10-32 X .500 BLACK ZINC	Machine screw	4
4	NUT KEPS 10-32I	Keeps Nut	4



# Rack Overview

Systèmes

**CableTalk**<sup>®</sup>  
Systems Inc.



The CableTalk 2-Post rack is available in 3 versions –

- Standard Rack in two heights, fully welded and preconfigured with one or two vertical cable managers,
- Fibre Rack with fibre loop capability on rack and cable management
- Knock-Down format which can be preconfigured with one or two vertical cable managers.

Rack side holes can be used for mounting cable management or ganging racks together.

#### **2 Post Racks**

- Standard 2 Post
- Fiber
- Knockdown

#### **Rack Kit Solutions**

- 2 Post with 1 or 2 vertical cable managers

#### **4 Post Rack**

#### **Shelves**

- Fixed – flush and centre mount
- Retractable
- 3 in 1 – Keyboard, monitor, mouse

#### **Ganged Solutions**

- Legacy
- High Density

#### **Magnum Rack**

#### **Cable Managers**

- Vertical
- Horizontal
- Overhead



# 2-Post Welded Rack



CTR-1977-DS-B

CTR-1977-DS-B with  
CTR-CMS-16-B



## Product Features

### Finish

- Durable black textured powder paint finish

### Structure

- Frame constructed of rugged 11 GA (0.120") steel, robotically welded and rigid
- Standard with 19" EIA 10-32 tapped mounting holes with permanently marked U-spacing identification
- 5/16" Sturdy steel base with anchor holes for mounting to floor
- Rack is standard with 1 copper 10-32x0.5"L ground stud
- All racks come standard tapped double-sided

## Options

- Available with pre-mounted vertical cable manager on the left or right side
- Mounts rack shelves and cable management systems, as well as 19" EIA standard hardware
- Available in 19" or 23" mounting widths
- Pre-configured mounting holes can be used to mount a variety of cable management systems or for ganging racks together
- Mounts PDU's, filler panels, KVM and LCD panels

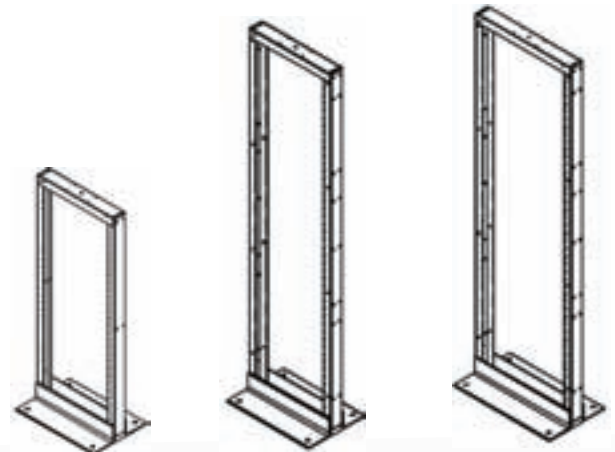
## Standard Dimensions

### 19" EIA Standard Racks

Part No.	Style	Mounting Width (EIA)	Overall Height (Inches)	Usable Space (Inches)
CTR-1948-B	Single sided	19	54	48
CTR-1965-B	Single sided	19	71	65
CTR-1977-DS-B	Double sided	19	83	77

### 23" EIA Standard Rack

Part No.	Style	Mounting Width (EIA)	Overall Height (Inches)	Usable Space (Inches)
CTR-2377-DS-B	Double sided	23	83	77



CTR-1948-B

CTR-1977-DS-B

CTR-2377-DS-B

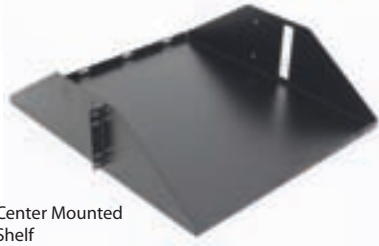
# Rack Shelves

Systèmes

**CableTalk**  
Systems Inc.



Flush Mounted Shelf



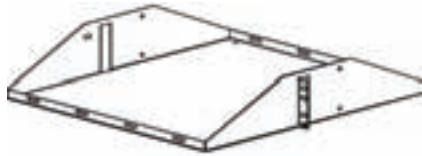
Center Mounted Shelf



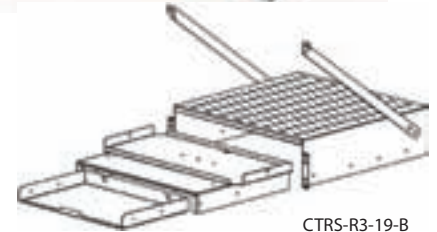
3-in-1 Shelf



CTRS-F-1812-B



CTRS-F-1820-B



CTRS-R3-19-B

## Product Features

### Finish

- Durable black smooth paint finish, easily cleaned

### Structure

- Fabricated of 16 GA (0.060") steel
- All shelves come with mounting hardware (10-32 screws)
- Single piece construction ensures maximum strength
- 3-in-1 shelf cascades to provide an extra-wide mouse pad, keyboard on a flanged swivel tray, and a monitor shelf

## Options

- Available in flush mount, centre mount, retractable and 3-in-1 styles

## Standard Dimensions

### 19" Rack Shelves

Part No.	Style	Platform	Shelf Depth (Inches)	Shelf Height (U-space)
CTRS-F-1811-1U-B	Flush Mount	Solid	11	1
CTRS-F-1812-B	Flush Mount	Solid	12	2
CTRS-F-1817-1U-B	Flush Mount	Vented	17	1
CTRS-F-1817-2U-B	Flush Mount	Vented	17	2
CTRS-F-1817-B	Flush Mount	Vented	17	3
CTRS-F-1821-B	Flush Mount	Vented	21	3
CTRS-F-1820-B	Centre Mount	Solid	20	3

### 19" Retractable Rack Shelves

Part No.	Style	Platform	Shelf Depth (Inches)	Shelf Height (U-space)
CTRS-R3-19-B	3-in-1	Vented	-	3
CTRS-R-1620-B	Retractable Shelf, 16"x20"	Vented	20	3

### 23" Rack Shelves

Part No.	Style	Platform	Shelf Depth (Inches)	Shelf Height (U-space)
CTRS-F-2212-B	Flush Mount	Vented	12	2
CTRS-F-2217-B	Flush Mount	Vented	17	3
CTRS-F-2220-B	Centre Mount	Vented	20	3

# Racks with Cable Management Systems

Systèmes

**CableTalk**<sup>®</sup>  
Systems Inc.



CTR-1977-DS-B

CTR-1977-DS-B with  
CTR-CMS-16-B



## Product Features

### Finish

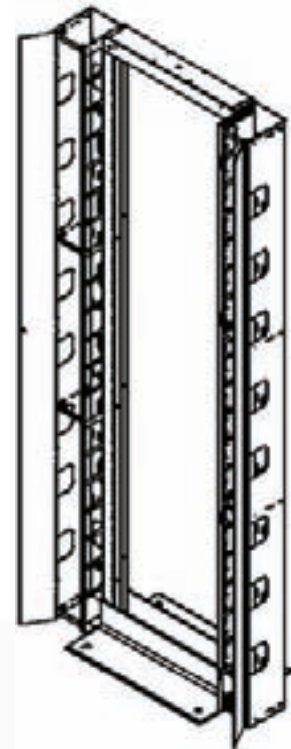
- Durable black textured powder paint finish

### Structure

- Combinations can be put together using any of our standard racks
- Comes with different cable manager sizes for different cable loads
- Available with a single cable manager mounted on the right or left side, or with cable managers mounted on both sides
- Factory installed on right hand side. Please specify while ordering for left-side mount

## Options

- Choice of basic frames: 1948, 1965, 1977, or 2377
- Choice of model: single or double sided tapped, regular or heavy duty foot, 19" or 23" wide mountings, welded or knockdown frame
- Available with CMS-16, CMS-17 or CMS-19



# Racks with Cable Management Systems

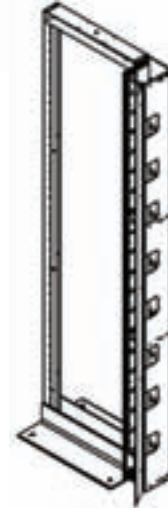
Systèmes

**CableTalk**<sup>®</sup>  
Systems Inc.

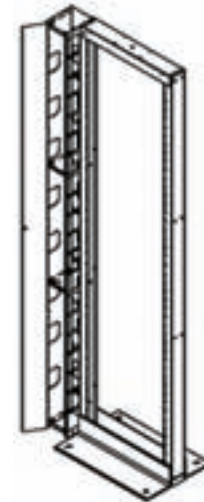
## Standard Dimensions

### 19" EIA Standard Racks

Part No.	Style	Mounting Width (EIA)	Overall Height (Inches)	Usable Space (Inches)	Vertical CMS
CTRM-1948-1-B	Single sided 10-32	19	54	48	1 CMS-14
CTRM-1948-2-B	Single sided 10-32	19	54	48	2 CMS-14
CTRM-1977-DS-1-B	Double sided 10-32	19	83	77	1 CMS-16
CTRM-1977-DS-2-B	Double sided 10-32	19	83	77	2 CMS-16
CTRM-1977-DS-17B	Double sided 10-32	19	83	77	1 CMS-17
CTRM-1977-DS-27B	Double sided 10-32	19	83	77	2 CMS-17
CTRM-1977-DS-19B	Double sided 10-32	19	83	77	1 CMS-19
CTRM-1977-DS-29B	Double sided 10-32	19	83	77	2 CMS-19



CTRM-1977-DS-1-B  
Right Mounted  
by factory default



CTRM-1977-DS-1-B  
Left Mounted  
by request only

### 19" EIA Heavy-Duty Foot Racks

Part No.	Style	Mounting Width (EIA)	Overall Height (Inches)	Usable Space (Inches)	Vertical CMS
CTRM-1977-HD1-B	Double sided 10-32	19	83	77	1 CMS-16
CTRM-1977-HD2-B	Double sided 10-32	19	83	77	2 CMS-16
CTRM-1977-HD17-B	Double sided 10-32	19	83	77	1 CMS-17
CTRM-1977-HD27-B	Double sided 10-32	19	83	77	2 CMS-17

### 19" Knock-down Racks

Part No.	Style	Mounting Width (EIA)	Overall Height (Inches)	Usable Space (Inches)	Vertical CMS
CTRM-1977-DS-KD-1	Double sided 12-24	19	83	77	1 CMS-16
CTRM-1977-DS-KD-2	Double sided 12-24	19	83	77	2 CMS-16



CTRM-1977-DS-2-B  
Left and  
Right Mounted

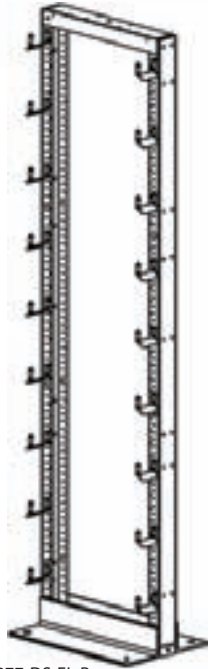
# Fiber Rack System

Systèmes

**CableTalk**  
Systems Inc.



CTR-1977-DS-FL-B



CTR-1977-DS-FL-B  
with CT-FL-3-B



CTR-1977-DS-FL-B with 2 -  
CTR-CMS-24-FL-B and 2  
CT-FL-5.5-NB-B



CTR-CMS-24-FL-B

## Product Features

### Finish

- Black textured powder paint finish

### Structure

- Frame constructed of rugged 11 GA (0.120") steel, robotically welded and rigid
- Standard with 19" EIA 10-32 tapped mounting holes with permanently marked U-spacing identification
- 5/16" Sturdy steel base with anchor holes for mounting to floor
- Rack is standard with 1 copper 10-32x0.5"L ground stud
- All racks are tapped double-sided
- Racks can be populated with half-loop waterfalls

## Options

- Vertical cable manager available, CTR-CMS-24-FL-B
- Racks can be populated with half-loop waterfalls, CT-FL-3-B and CT-FL-5.5-NB-B

## Standard Dimensions

### 19" EIA Fibre Racks

Part No.	Style	Mounting Width (EIA)	Overall Height (Inches)	Usable Space (Inches)
CTR-1977-DS-FL-B	Double sided	19	83	77

### Fibre Vertical Cable Manager

Part No.	Style	Width (Inches)	Depth (Inches)	Height (Inches)
CTR-CMS-24-FL-B	Fibre Vertical Cable Management	5.5	5.5	83

### Fiber Loop

Part No.	Width (Inches)	Depth (Inches)	Height (Inches)
CT-FL-3-B	1.2	3	2.3
CT-FL-5.5-NB-B	2.5	5.5	2.5



CT-FL-3-B



CT-FL-5.5-NB-B

# 2-Post Knockdown Racks

Systèmes

**CableTalk**  
Systems Inc.



CTR-1977-DS-KD-B-12

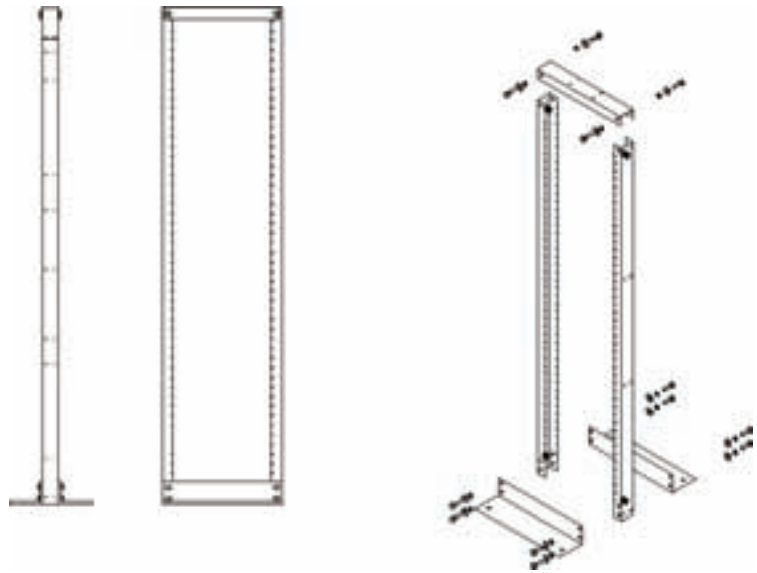
## Product Features

### Finish

- Durable black textured powder paint finish

### Structure

- Frame constructed of rugged 11 GA (0.120") steel
- Knock-down racks bolt together for ease of handling and assembly
- Comes standard in 19" EIA width, with 12-24 tapped mounting holes and permanently marked U-spacing identification
- 5/16" Sturdy steel base with anchor holes for mounting to floor
- Rack is standard with 1 ground stud
- Ships knockdown in box with dimensions of 6.5"x7"x27" for the base and 2.5"x4"x84" for the uprights, and total weight of 90 lbs.



## Options

- Mounts rack shelves and cable management systems, as well as 19" EIA standard hardware
- Pre-configured mounting holes can be used to mount a variety of cable management systems or for ganging racks together
- Available in aluminum construction
- Available in 23" EIA spacing
- Available with mounting holes tapped 10-32
- Rack and CMS combination kits available

## Standard Dimensions

### Knock-down Racks

Part No.	Style	Mounting Width (EIA)	Overall Height (Inches)	Usable Space (Inches)	Vertical CMS
CTR-1977-DS-KD-B-12	Double sided 12/24	19	83	77	-
CTRM-1977-DS-KD-1	Double sided 12/24	19	83	77	1 CMS-16
CTRM-1977-DS-KD-2	Double sided 12/24	19	83	77	2 CMS-16
CTR-2377-DS-KD-B-12	Double sided 12/24	23	83	77	-
CTRM-2377-DS-KD-1	Double sided 12/24	23	83	77	1 CMS-16
CTRM-2377-DS-KD-2	Double sided 12/24	23	83	77	2 CMS-16



# 4-Post Rack

Systèmes

**CableTalk**<sup>®</sup>  
Systems Inc.



4-Post Rack

## Product Features

### Finish

- Durable black textured powder paint finish

### Structure

- Frame constructed of 13 GA (0.090") steel, robotically welded for accuracy and rigidity
- Comes standard with universal spacing using a 0.375" square caged nut mounting system, with permanently marked U-spacing identification
- Depth adjustable from 22" to 36"
- 83" tall, 44 U-Space of vertical capacity
- Stabilizer bars can be added or removed as needed
- Commonly referred to as a "Pop-rack"
- Caged nuts required
- All units must be properly secured to the floor
- Ships knockdown in box with dimensions of 84"x24"x8" and weight of 77 lbs.

## Options

- Caged nuts for mounting (sold separately) available in 10-32, and 12-24,
- Vertical and horizontal cable management available
- Additional stabilizer kit available (P36-STBZR-KIT)
- Mounts shelving, PDU's, KVM and LCD panels

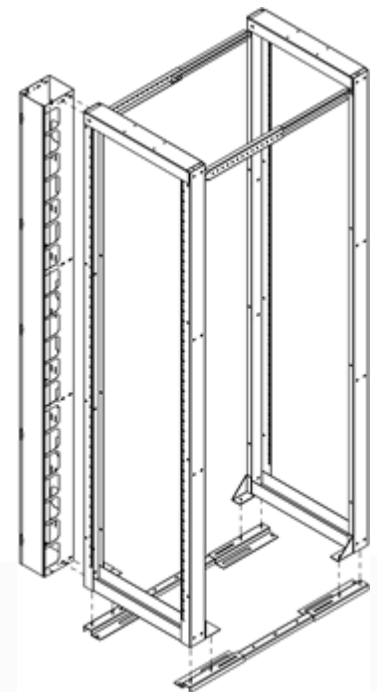
## Standard Dimensions

### 4 Post rack

Part No.	Style	Mounting Width (EIA)	Overall Height (Inches)	Usable Space (Inches)	Mounting Depth (Inches)	Mounting System
CTR-1977C-P36-B	4 Post Adjustable Rack	19	84	44	22 to 36	Caged Nut

### Accessories

Part No.	Name	Quantity
NUT-CAGED-10-32K	Nut, Caged 10-32	100/bag
NUT-CAGED-12-24K	Nut, Caged 12-24	100/bag
SCREW, 10-32-K	Robertson-Flat Comb. Drive	100/bag
SCREW, 12-24-K	Robertson-Flat Comb. Drive	100/bag
P36-STBZR-KIT	Stabilizer kit	Set of 2 bars



CTR-1977C-P36-B



# Legacy Product Line Ganged Rack Solutions



## Product Features

### Finish

- Durable black textured powder paint finish

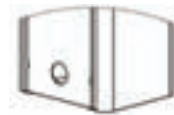
### Structure

- Ganged rack systems are ideal for a problem-free multiple rack installation
- Uses 2-Post floor racks, horizontal overhead and vertical cable management systems, ganging kits, and end caps
- Re-designed to accommodate increased cable counts

## Options

- 4-Post ganged solutions available
- Knock-down rack solution available on request
- Vertical Extension chimneys available

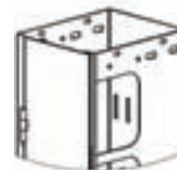
Note: Legacy extension chimneys need universal foot to mount to legacy ganged racks. Legacy extension chimneys can be mounted to a standard cabinet without a universal foot.



Chimney



CMS-EXT-UF-B



CTR-CMS-16-B

Mounting detail for CTR-CMS-16-B with universal foot and vertical chimney

## Standard Dimensions

### Ganged Rack Solutions

Part No.	Positions	Style	Cable Management	Width (Inches)	Depth (Inches)
GS1-1977-DS-B	1	Welded Rack	Vertical and overhead	32	15
GS2-1977-DS-B	2	Welded Rack	Vertical and overhead	61	15
GS3-1977-DS-B	3	Welded Rack	Vertical and overhead	90	15
GS4-1977-DS-B	4	Welded Rack	Vertical and overhead	119	15
GS5-1977-DS-B	5	Welded Rack	Vertical and overhead	148	15
GS6-1977-DS-B	6	Welded Rack	Vertical and overhead	178	15
GS7-1977-DS-B	7	Welded Rack	Vertical and overhead	207	15

### Overhead Management & Extension Chimney for Legacy Ganged Racks

Part No.	Description	Width (Inches)	Depth (Inches)	Height (Inches)
CTH-CMT-29-B	Horizontal Overhead Cable Mgmt	29	4.8	5.8
CTH-CMT-32-B	Horizontal Overhead Cable Mgmt	32	4.8	5.8
CTH-CMT-37-B	Horizontal Overhead Cable Mgmt	37	4.8	5.8
CMS-EXT-24-B	Cable Chimney	5.8	4.8	24
CMS-EXT-36-B	Cable Chimney	5.8	4.8	36
CMS-EXT-UF-B	Universal Foot (use with CMS-16/CMS-17)	N/A	N/A	N/A



CMS-EXT-24-B



CMS-EXT-36-B

# Legacy Product Line Ganged Rack Solutions

Systèmes

**CableTalk**<sup>®</sup>  
Systems Inc.

**GS1**



**GS1-1977-DS-B**

Part No.	Quantity
CTR-1977-DS-B	1
CTR-CMS-16-B	2
CTH-CMT-32-B	1

**GS2**



**GS2-1977-DS-B**

Part No.	Quantity
CTR-1977-DS-B	2
CTR-CMS-16-B	2
CTR-CMS-17-B	1
CTH-CMT-29-B	1
CTH-CMT-32-B	1

**GS3**



**GS3-1977-DS-B**

Part No.	Quantity
CTR-1977-DS-B	3
CTR-CMS-16-B	2
CTR-CMS-17-B	2
CTH-CMT-29-B	2
CTH-CMT-32-B	1

**GS4**



**GS4-1977-DS-B**

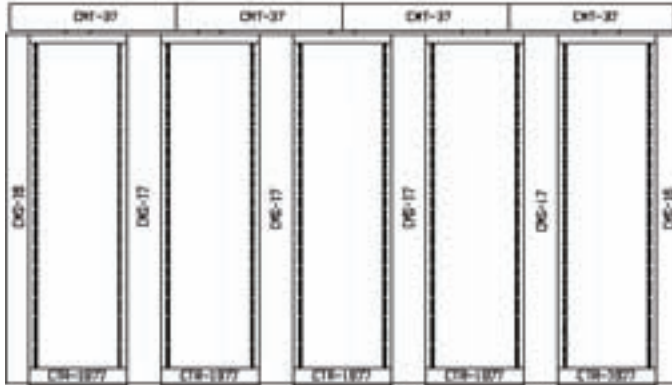
Part No.	Quantity
CTR-1977-DS-B	4
CTR-CMS-16-B	2
CTR-CMS-17-B	3
CTH-CMT-29-B	3
CTH-CMT-32-B	1

# Legacy Product Line Ganged Rack Solutions

Systèmes

**CableTalk**<sup>®</sup>  
Systems Inc.

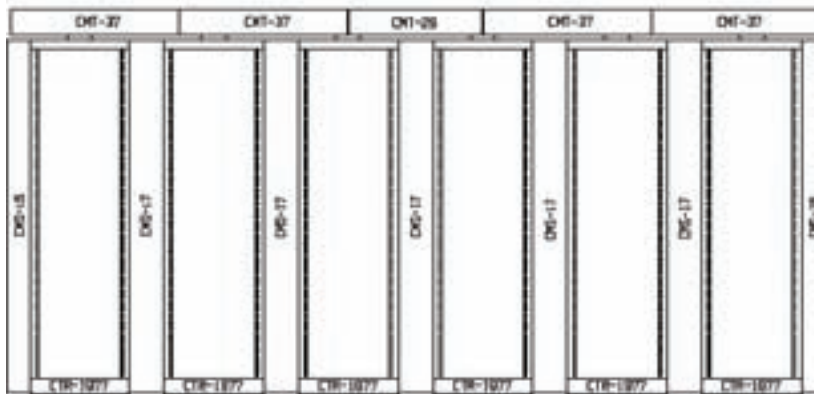
**GS5**



**GS5-1977-DS-B**

Part No.	Quantity
CTR-1977-DS-B	5
CTR-CMS-16-B	2
CTR-CMS-17-B	4
CTH-CMT-37-B	4

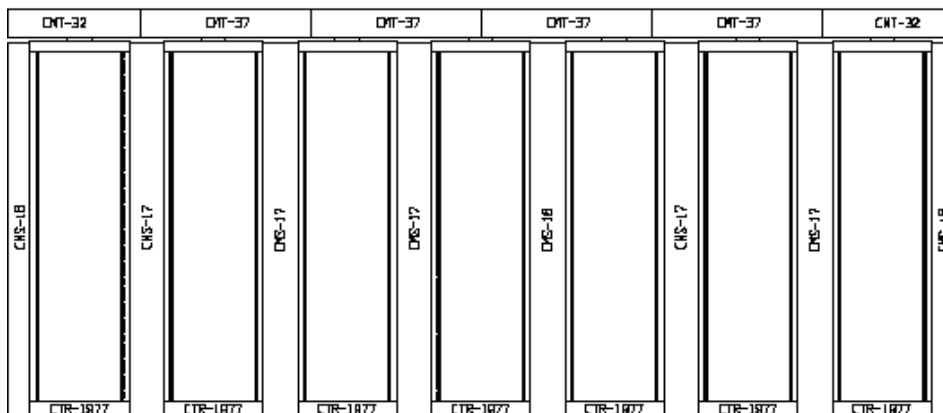
**GS6**



**GS6-1977-DS-B**

Part No.	Quantity
CTR-1977-DS-B	6
CTR-CMS-16-B	2
CTR-CMS-17-B	5
CTH-CMT-29-B	1
CTH-CMT-37-B	4

**GS7**



**GS7-1977-DS-B**

Part No.	Quantity
CTR-1977-DS-B	7
CTR-CMS-16-B	2
CTR-CMS-17-B	6
CTH-CMT-32-B	2
CTH-CMT-37-B	4

# High Density Product Line Ganged Rack Solutions



## Product Features

### Finish

- Durable black textured powder paint finish

### Structure

- Ganged rack systems are ideal for a problem-free multiple rack installation
- High density rack system designed to be completely modular, can grow in increments of 1 rack at a time
- Uses 2-Post floor racks, horizontal overhead and vertical cable management systems, ganging plates, and end caps
- Designed to accommodate increased cable counts

## Options

- Optional extension chimneys can replace either ganging plates or end caps

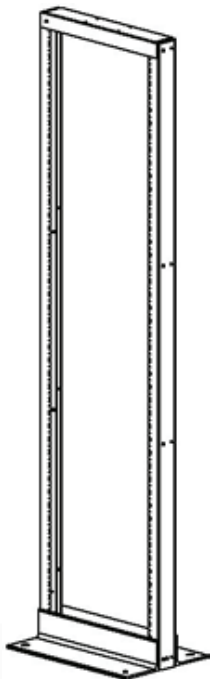
NOTE: All high density rack systems are sold à la carte.

See Reference Tool on following pages for suggested bill of materials.

## Standard Dimensions

### Components of a High Density Ganged Solution

Part No.	Description	Width (Inches)	Depth (Inches)	Height (Inches)
CTR-1977-DS-B	19" EIA Mounting double-sided rack	19" EIA	-	83
CTH-CMT-21-B	Overhead Manager	21.5	8	6.5
CTH-CMT-EC-B	End Cap	6.5	8	6.5
CTH-CMT-GP-B	Ganging Plate	5.5	8	6.5
CTR-EXT-24-B	Overhead series cable chimney	6.5	8	24
CTR-EXT-36-B	Overhead series cable chimney	6.5	8	36
CTR-VCMS-77-B	Vertical Cable manager	6.5	8	83



CTR-1977-DS-B



CTR-VCMS-1977-B



CTH-CMT-EC-B



CTH-CMT-21-B

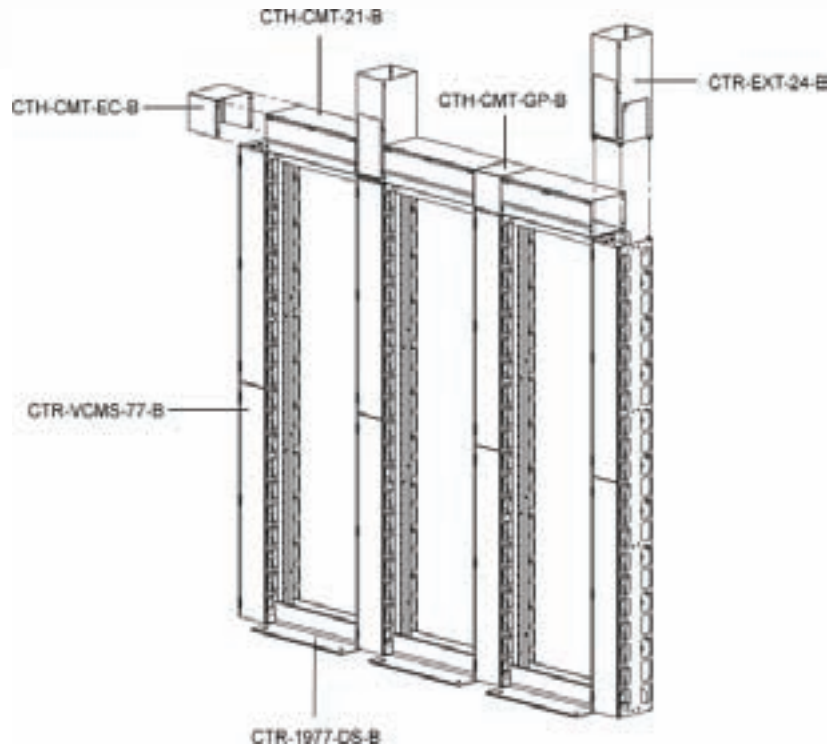


CTH-CMT-GP-B



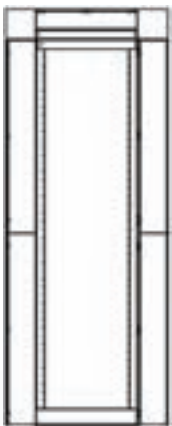
CTR-EXT-24-B

# High Density Product Line Ganged Rack Solutions



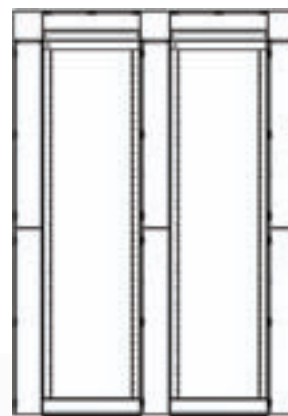
## Reference Tool

Suggested Bill of Material requirements for High Density ganged racks:



### When Ganging 1 Rack

Part No.	Quantity
CTR-1977-DS-B	1
CTH-CMT-21-B	1
CTH-CMT-EC-B	2
CTR-VCMS-77-B	2



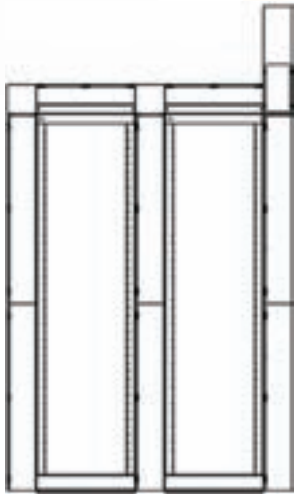
### When Ganging 2 Racks

Part No.	Quantity
CTR-1977-DS-B	2
CTH-CMT-21-B	2
CTH-CMT-EC-B	2
CTH-CMT-GP-B	1
CTR-VCMS-77-B	3

# High Density Product Line Ganged Rack Solutions

Systèmes

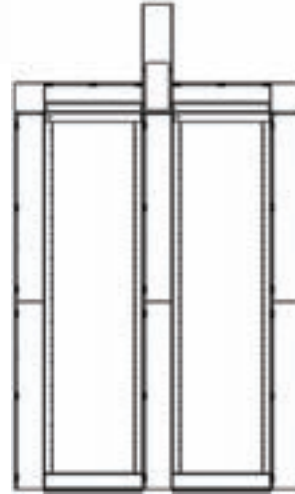
**CableTalk**<sup>®</sup>  
Systems Inc.



## When Ganging 2 Racks w/ end mount chimney

Part No.	Quantity
CTR-1977-DS-B	2
CTH-CMT-21-B	2
CTH-CMT-EC-B	1
CTH-CMT-GP-B	1
CTR-EXT-24-B	1
CTR-VCMS-77-B	3

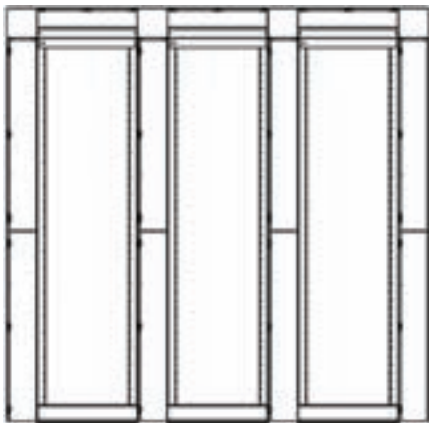
To mount chimney at end of installation, the chimney CTR-EXT-24-B replaces end cap CTH-CMT-EC-B



## When Ganging 2 Racks w/ mid mount chimney

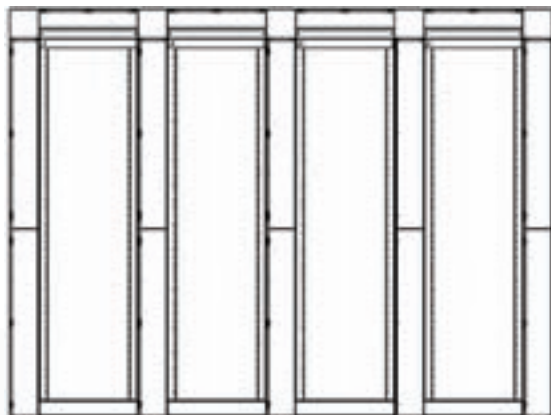
Part No.	Quantity
CTR-1977-DS-B	2
CTH-CMT-21-B	2
CTH-CMT-EC-B	2
CTR-EXT-24-B	1
CTR-VCMS-77-B	3

To mount chimney on the interior of installation, the chimney CTR-EXT-24-B replaces ganging plate CTH-CMT-GP-B



## When Ganging 3 Racks

Part No.	Quantity
CTR-1977-DS-B	3
CTH-CMT-21-B	3
CTH-CMT-EC-B	2
CTH-CMT-GP-B	2
CTR-VCMS-77-B	4



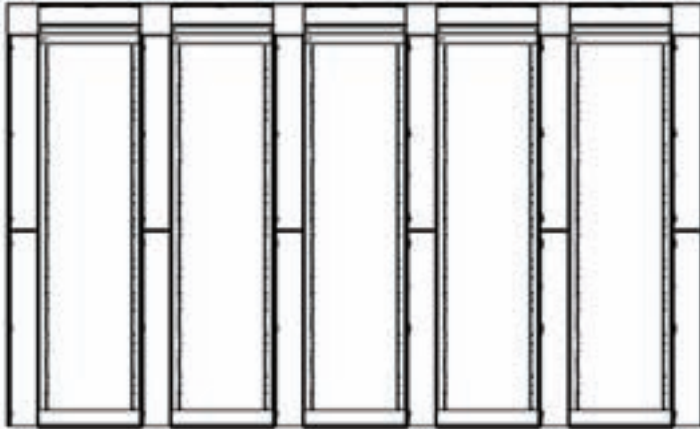
## When Ganging 4 Racks

Part No.	Quantity
CTR-1977-DS-B	4
CTH-CMT-21-B	4
CTH-CMT-EC-B	2
CTH-CMT-GP-B	3
CTR-VCMS-77-B	5

# High Density Product Line Ganged Rack Solutions

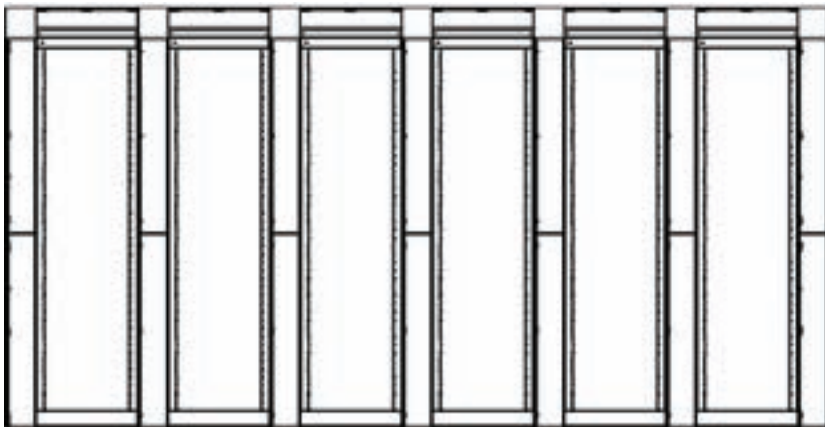
Systèmes

**CableTalk**<sup>®</sup>  
Systems Inc.



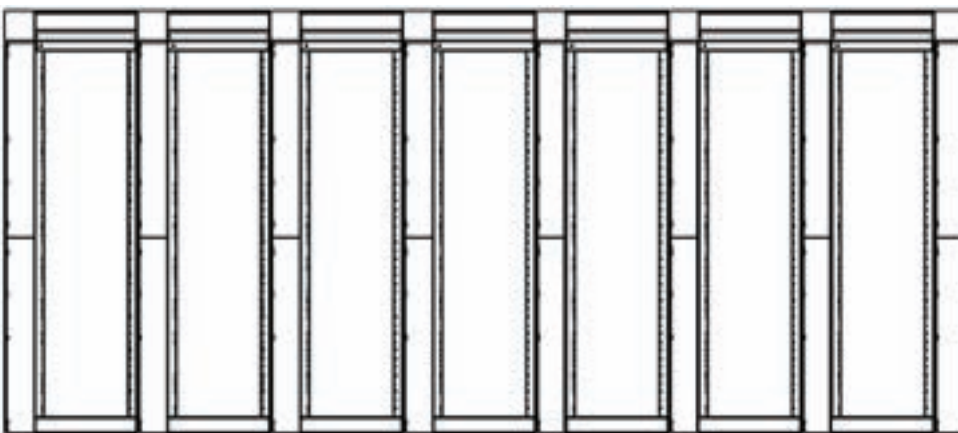
### When Ganging 5 Racks

Part No.	Quantity
CTR-1977-DS-B	5
CTH-CMT-21-B	5
CTH-CMT-EC-B	2
CTH-CMT-GP-B	4
CTR-VCMS-77-B	6



### When Ganging 6 Racks

Part No.	Quantity
CTR-1977-DS-B	6
CTH-CMT-21-B	6
CTH-CMT-EC-B	2
CTH-CMT-GP-B	5
CTR-VCMS-77-B	7



### When Ganging 7 Racks

Part No.	Quantity
CTR-1977-DS-B	7
CTH-CMT-21-B	7
CTH-CMT-EC-B	2
CTH-CMT-GP-B	6
CTR-VCMS-77-B	8

# Magnum Rack

Systèmes

**CableTalk**  
Systems Inc.



CTM-1977-B

## Product Features

### Finish

- Durable black textured powder paint finish

### Structure

- Frame constructed of rugged 11 GA (0.120") steel
- Knock-down construction bolts together for ease of handling and assembly. Comes standard with 19" EIA standard 12-24 tapped mounting holes with permanently marked U-spacing identification
- All racks come standard tapped double-sided
- 1/4" Sturdy steel base with anchor holes for mounting to floor
- Rack is standard with 1 copper 12-24x1"L ground stud
- Extra-wide body with built-in cable management

## Options

- Mounts rack shelves and cable management systems, as well as 19" EIA standard hardware
- Magnum horizontal cable manager available
- Magnum vertical cable manager available
- Magnum vertical cable manager for ganging multiple racks available
- Magnum overhead tray cable manager available
- Vertical tie plates with lances available for cable tie down
- Base dust cover available

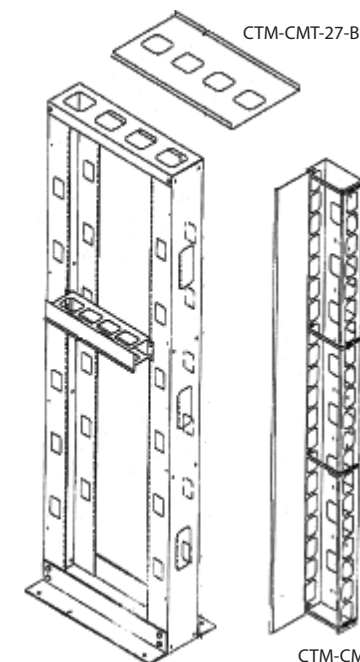
## Standard Dimensions

### Knock-down Racks

Part No.	Style	Mounting Width (EIA)	Overall Height (Inches)	Usable Space (Inches)
CTM-1977-B	Double sided 12/24	19	84	77
CTM-1984-B	Double sided 12/24	19	90	84

### Magnum Accessories

Part No.	Description	Width (Inches)	Depth (Inches)	Height (Inches)
CTH-CMS-2MAG-B	Horizontal cable manager	19	3.5	5
CTM-CMS-20-B	Vertical cable manager for 1977	4	84	4
CTM-CMS-21-B	Ganging Vertical cable manager for 1977	8	84	4
CTM-1977-TIE-B	Vertical Tie Plate with Lances for 1977	5.5	84	-
CTM-CMS-22-B	Vertical cable manager for 1984	4	90	4
CTM-CMS-23-B	Ganging Vertical cable manager for 1984	8	90	4
CTM-1984-TIE-B	Vertical Tie Plate with Lances for 1984	5.5	90	-
CTM-CMT-27-B	Overhead tray cable manager	27	1	14.5
CTM-19BDC-B	Base Dust Cover	26.5	6.25	1.5



CTM-CMT-27-B

CTM-CMS-22-B

CTM-CMS-23-B

CTM-1984-B  
Shown with  
CTH-CMS-2MAG-B



# Wall Mount Solutions Overview

Systèmes

**CableTalk**<sup>®</sup>  
Systems Inc.



CableTalk offers a variety of wall mount solutions, including cabinets, racks and brackets.

All products are steel construction and come in different sizes to fill your requirements.

#### *Wall Mount Enclosures*

- Industrial
- Commercial
- Remote Premise Box

#### *Fixed Rack*

#### *Swing Out Rack*

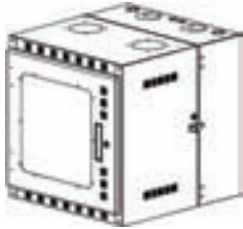
#### *Wall Brackets*

#### *Hub Brackets*

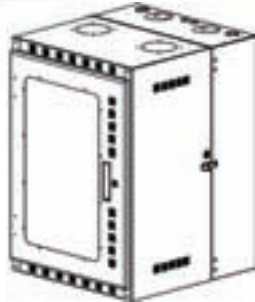




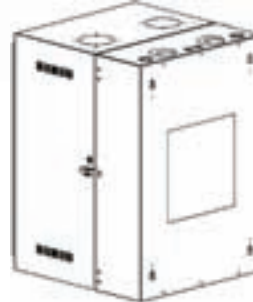
# Wall Mount - Commerical Cabinet



CTCWH-2524-DSO-B  
Shown Closed



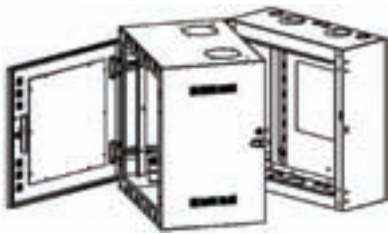
CTCWH-3424-DSO-B  
Front View Shown Closed



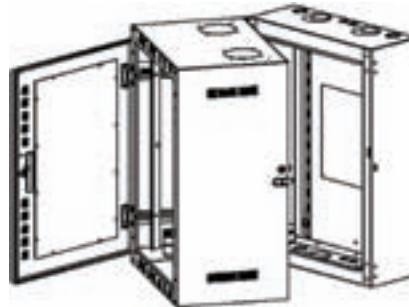
CTCWH-3424-DSO-B  
Rear View Shown Closed



CTCWH-4724-DSO-B  
Shown Closed



CTCWH-2524-DSO-B  
Shown Open



CTCWH-3424-DSO-B  
Shown Open



CTCWH-4724-DSO-B  
Shown Open



## 7U back-panel style wall mount cabinet

### Product Features

#### Finish

- Durable black textured powder paint finish

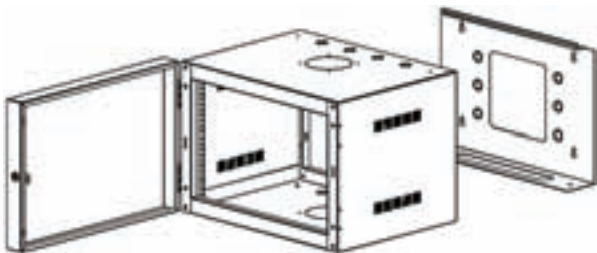
#### Structure

- 7 U-Space
- Left/Right reversible mounting cabinet by reversing cabinet on mounting plate
- Solid front door
- Key-lockable
- Laser cut knock-outs for recessed pull box position
- Back-plate attaches to wall separately, and then cabinet is mounted to back-plate

### Standard Dimensions

#### Commercial Wall Mount Cabinets

Part No.	Overall Width (Inches)	Overall Depth (Inches)	Usable Depth (Inches)	Overall Height (Inches)	Height (U-space)
CTCWF-1516-BP-B	22.5	19.3	16	15.75	7



# Wall Mount - Industrial Cabinet

Systèmes

**CableTalk**  
Systems Inc.



## Product Features

### Finish

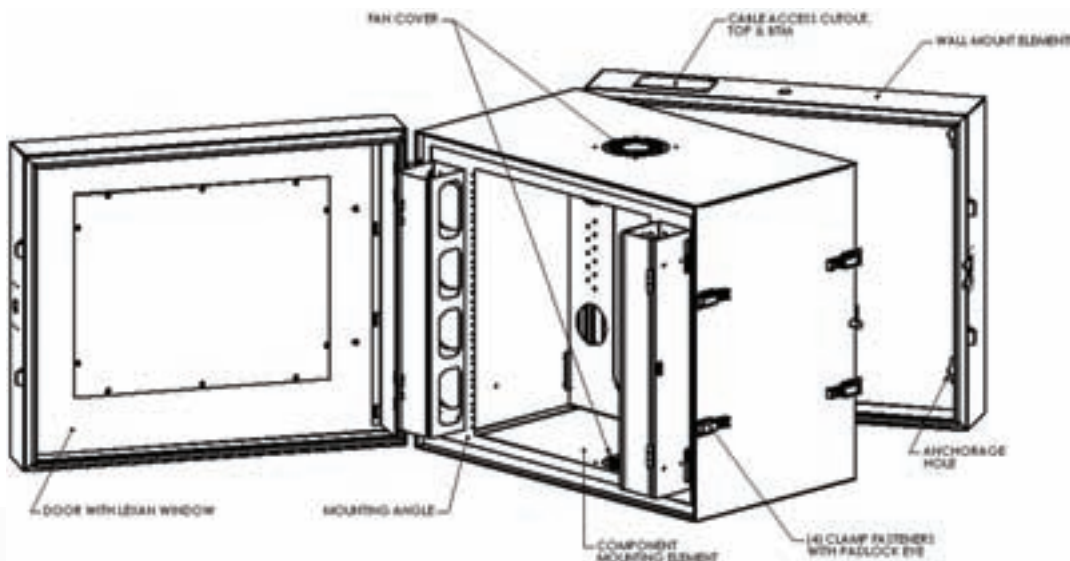
- Durable black textured powder paint finish

### Structure

- Frame constructed of 13 GA (0.090") and 16GA (0.060") steel, fully welded and rigid
- Industrial wall mount cabinets are ideal for small and medium sized networks, and are designed for harsh conditions such as manufacturing facilities
- All cabinets come standard with tinted Lexan-windowed door
- Hinged body for rear access
- Vertical cable management system included
- Built-in 19" EIA standard 10-32 tapped mounting angles
- Pad-lockable doors standard
- Pad-lockable front and back compartments
- Reversible swing with replacement hinges. Factory default to left-hand swing

## Options

- Available in 11 U-space or 23 U-space
- Gasketing for NEMA/Harsh environment applications available. Gasketing is 1 piece extruded neoprene, attached by 3M heat sensitive adhesive
- Flush-style key lockable doors available front and rear
- Fans for thermal load management available. Optional filter kit is recommended

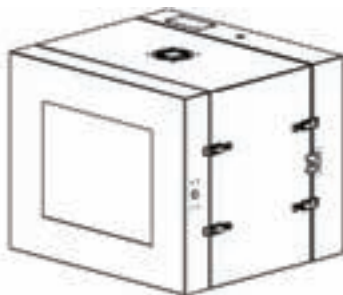
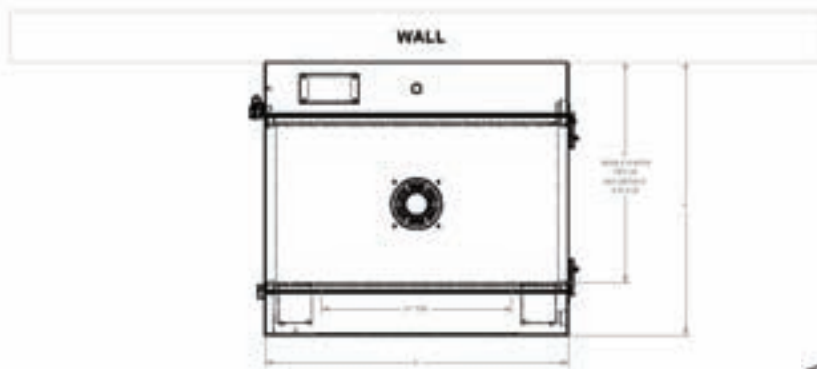
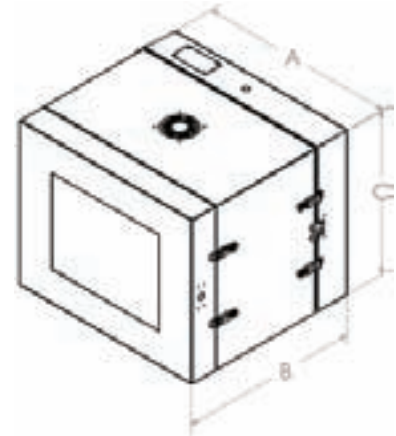


# Wall Mount - Industrial Cabinet

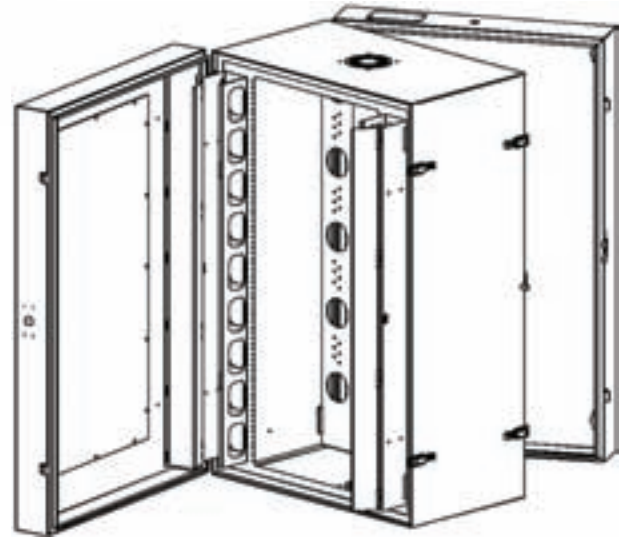
## Standard Dimensions

### Industrial Wall Mount Cabinets

Part No.	Overall Width (Inches)	Overall Depth (Inches)	Usable Depth (Inches)	Overall Height (Inches)	Height (U-space)	Load Rating
CTCWH-2128-DDSO-B	28.5	25.5	20.5	23.5	11 U	150
CTCWH-4428-DDSO-B	28.5	25.5	20.5	44.5	23 U	200



CTCWH-2128-DDSO-B  
Shown with Lexan door

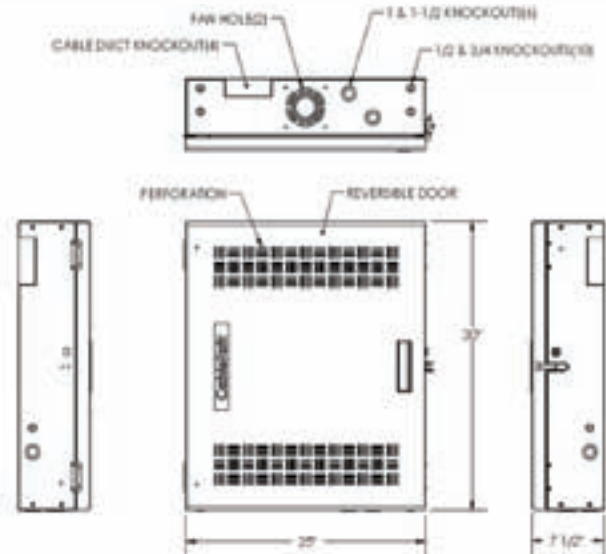


CTCWH-4428-DDSO-B  
Shown with Lexan door

# Remote Premise Box

Systèmes

**CableTalk**  
Systems Inc.



## Product Features

### Finish

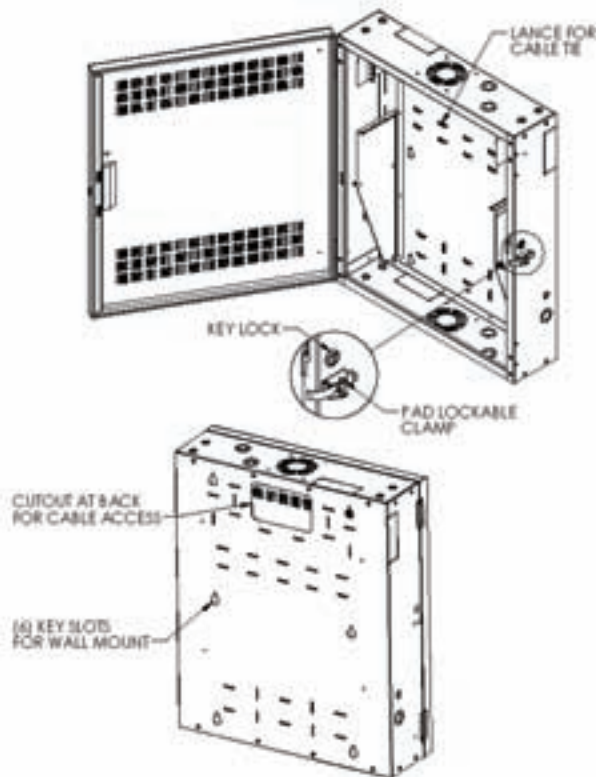
- Durable black textured powder paint finish

### Structure

- Frame constructed of 16 GA (0.060") steel, fully welded and rigid
- Ventilated front door for thermal management
- Reversible front door
- Key lockable and pad lockable front door
- Capacity for 2 fans to be installed
- Knockouts on top and back panels for cable ducts
- Lances in back panel for cable ties
- Upper bracket available with 2 U-space and 19" EIA mounting

## Options

- Available with enhanced bracket kit
- Enhanced bracket kit allows for height adjustability, 3 U-space and 19" EIA mounting.
- Bracket slides out for easy of access



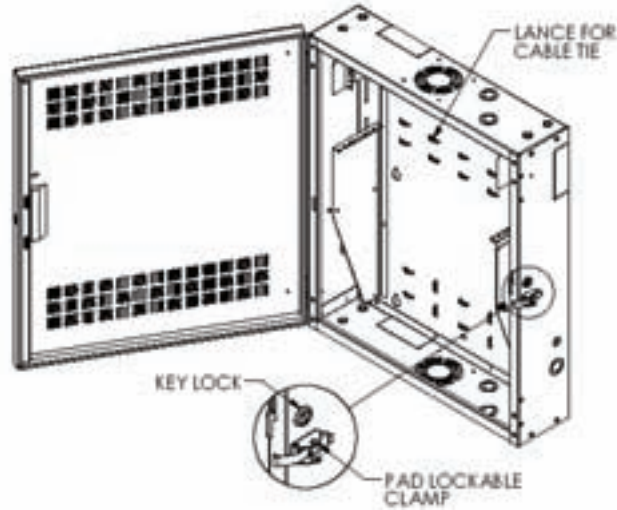
## Standard Dimensions

### Remote Premise Box

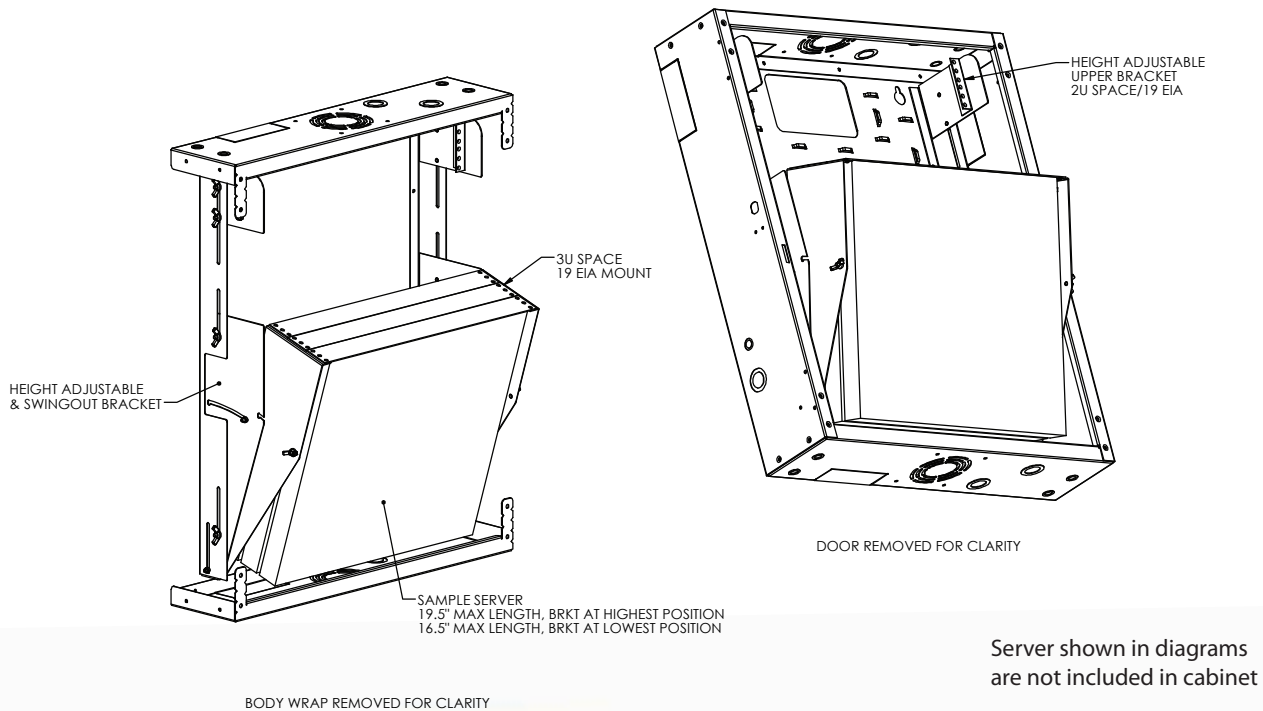
Part No.	Description	Overall Width (Inches)	Overall Depth (Inches)	Overall Height (Inches)
CTCWF-3025-HDB-B	Remote premise Box	25	7	30
CTCWF-3025-HDB-K01-B	Remote Premise Box with Enhance Bracket Kit	25	7	30

# Remote Premise Box

Inside View of CTCWF-3025-HDB-B Remote Premise Box



Inside View of CTCWF-3025-HDB-K01-B Remote Premise Box with Enhance Bracket Kit



# Wall Mount Rack

Systèmes

**CableTalk**<sup>®</sup>  
Systems Inc.



## Product Features

### Finish

- Durable black textured powder paint finish

### Structure

- Frame constructed of rugged 11 GA (0.120") steel, fully welded and rigid
- 44 U-Space of vertical capacity
- Standard with 19" EIA 10-32 tapped mounting holes with permanently marked U-spacing identification
- Mounts to wall
- Based on the same rugged framework as our standard 2-Post rack

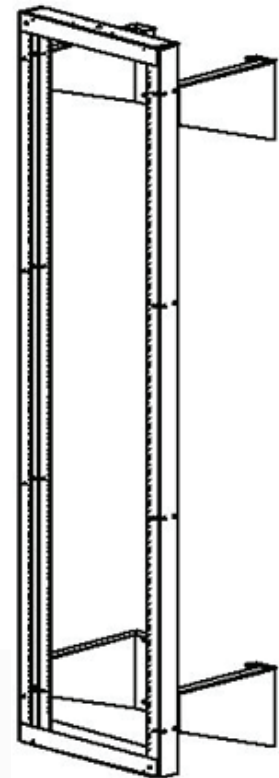
## Options

- Available with pre-mounted vertical cable manager on the left or right side
- Mounts rack shelves and cable management systems, as well as 19" EIA standard hardware

## Standard Dimensions

### Fixed Wall Mount Rack

Part No.	Mounting Width (EIA)	Height (Inches)	Height (U-space)	Vertical CMS
CTR-WMF-1948-B	19	48	27	0
CTR-WMF-1948-1-B	19	48	27	1 CMS-14
CTR-WMF-1948-2-B	19	48	27	2 CMS-14
CTR-WMF-1977-B	19	77	44	0
CTR-WMF-1977-1-B	19	77	44	1 CMS-16
CTR-WMF-1977-2-B	19	77	44	2 CMS-16
CTR-WMF-1977-17-B	19	77	44	1 CMS-17
CTR-WMF-1977-27-B	19	77	44	2 CMS-17



CTR-WMF-1977-B



# Wall Mount - Swing Out Rack

Systèmes

**CableTalk**<sup>®</sup>  
Systems Inc.



## Product Features

### Finish

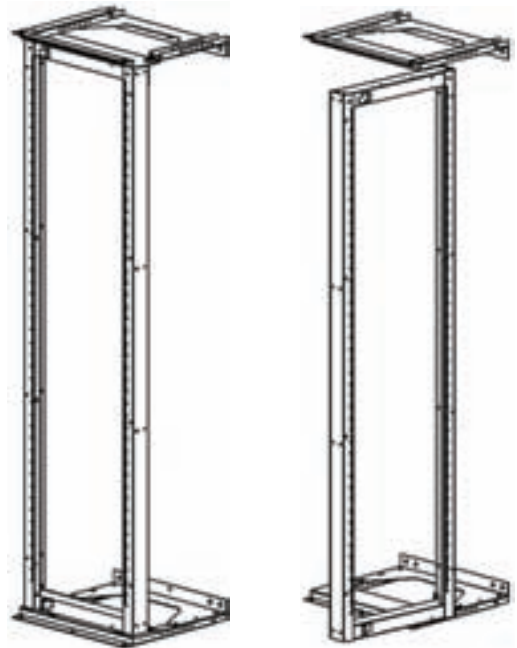
- Durable black textured powder paint finish

### Structure

- Frame constructed of rugged 11 GA (0.120") steel, fully welded and rigid
- Up to 44 U-Space of vertical capacity
- Comes standard with 19" EIA standard caged nut mounting holes with stamped U-spacing identification
- Adjustable mounting distance from wall, from 18" to 24"
- Based on the same rugged framework as our standard 2-Post rack
- 5/16" Sturdy steel base with anchor holes for mounting to floor
- Pivots on side-mount, 86 degrees of rotation.
- Full accessibility to front and back
- Ships flat, 84"x22"x3"

## Options

- Available with pre-mounted vertical cable manager on the left or right side (CTR-CMS-16-B)
- Mounts rack shelves and cable management systems, as well as 19" EIA standard hardware



## Standard Dimensions

### Swing-Out Racks

Part No.	Outside Width A (Inches)	Mounting Adjustability from Wall B (Inches)	Height C (U-space)	Overall Height (Inches)
CTRSO-1977C-B	23	18 to 24	44	86

# Wall Mount Brackets



## Product Features

### Finish

- Durable black textured powder paint finish

### Structure

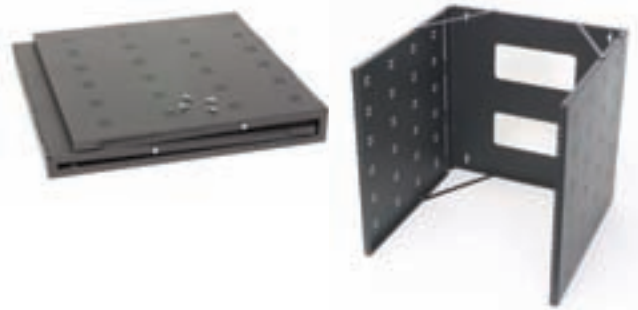
- Frame constructed of 16 GA (0.060") steel
- Wall mount brackets are designed for smaller network systems
- Comes standard with 19" EIA standard 10-32 tapped mounting holes with stamped U-spacing identification

## Flat-Pack Swing Out

Our 11 U-space model is constructed so that it closes flat for shipping, and is assembled simply with 4 screws on arrival.

## Options

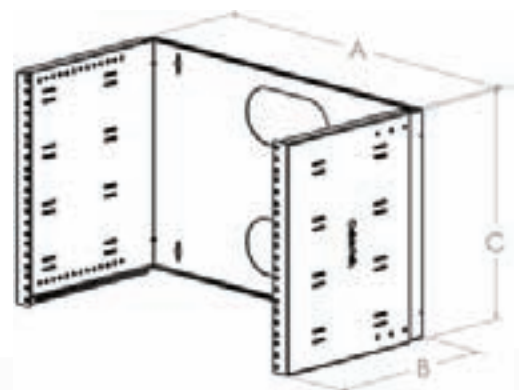
- Available in 1,2,4, 7 or 11 U-space sizes
- 2 U-space size features a hinged mount, which offers full access to patch panels, front and rear
- 4 U-Space size has adjustable depth, from 10-14 inches
- 4 U-Space combo kit available, includes 4 U-space adjustable depth wall bracket and 12" deep shelf
- 7 U-space model is adjustable from 10-16 inches deep
- 11 U-space size features a swing-out mount, which enables it to be shipped flat



## Standard Dimensions

### Wall Mount Brackets

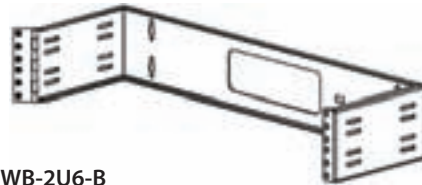
Part No.	Overall Width A (Inches)	Overall Depth B (Inches)	Overall Height C (Inches)	Style
WB-1U4-B	20	4	1.75	Fixed
WB-2U6-B	20	6	3.5	Hinged
WB-4U14-B	20	10-14 Adjustable	7	Fixed
WB-4U14K-B	20	10-14 Adjustable	7	Fixed, w/ shelf
WB-7U16-B	20	10-16 Adjustable	12.25	Fixed
WB-11U20-B	20	20	19.25	Swing-out



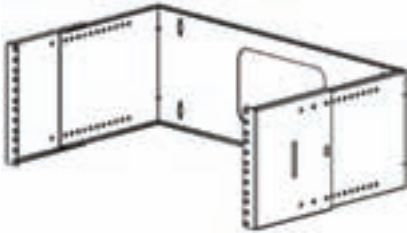
# Wall Mount Brackets



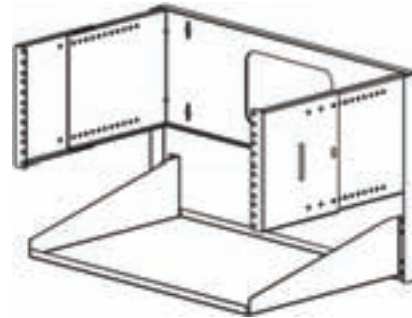
WB-1U4-B



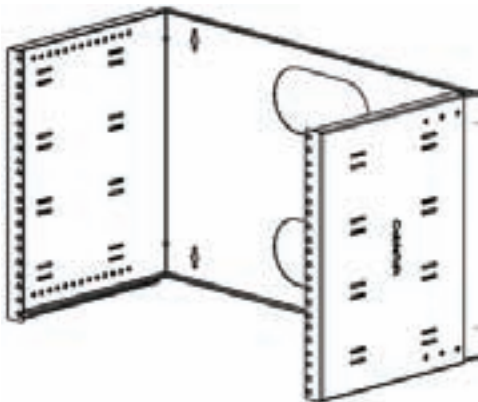
WB-2U6-B



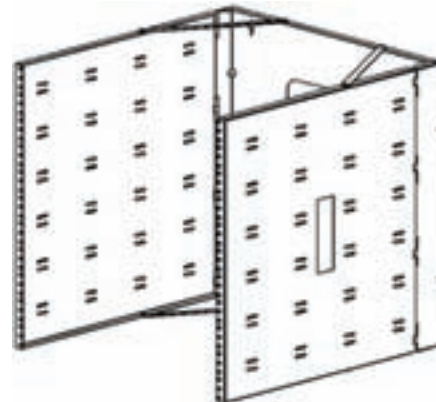
WB-4U14-B



WB-4U14K-B



WB-7U16-B



WB-11U20-B

# Wall/Ceiling Mount Hub Brackets

Systèmes

**CableTalk**<sup>®</sup>  
Systems Inc.



Wall-mounted Hub bracket with hub and cable manager installed

## Product Features

### Finish

- Durable black textured powder paint finish

### Structure

- Frame constructed of 11 GA (0.125") steel
- A solution for small networks with space constraints
- Designed to mount equipment to the wall or ceiling, allowing full access and maintaining a limited depth
- Comes standard with 19" EIA standard 10-32 tapped mounting holes with stamped U-spacing identification

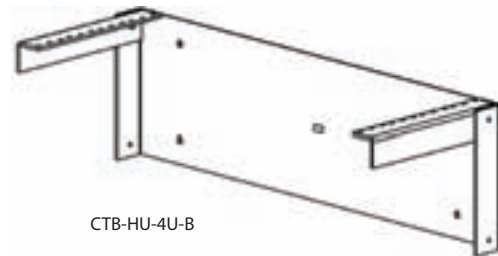
## Options

- Available in 4 or 7 U-space sizes

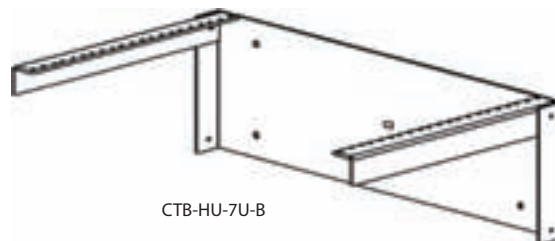
## Standard Dimensions

### Wall/Ceiling Mount Hub Brackets

Part No.	Mounting Width (EIA)	Depth (U-space)
CTB-HU-4U-B	19	4
CTB-HU-7U-B	19	7



CTB-HU-4U-B



CTB-HU-7U-B

# Cabinet Vertical Cable Management



Channel style with door closed



Channel style with door ajar



Ladder backbone style



Flat backbone style

## Product Features

### *Finish*

- Black smooth paint finish

### *Structure*

- Fabricated of 16 GA (0.060") steel
- Channel style supports heavy cable load, while maintaining clean concealed appearance
- Backbone style provides cable management with a very shallow profile for maximum cabinet space

### **High Density Vertical Cable Manager**

- Item # CTC3-CMS-13-B
- Ideal for use with high density cable installations
- Large Size Channel Style Cable Manager, 9" deep
- Large cable access holes
- For use in 30" wide cabinet only
- Use with CTC3-MA-14-FL-B or CTC3-MA-14C-FL-B mounting angles
- Fibre Loops available for strain relief, CTC3-CMS-13-SR-B, pack of 10. Recommended for both copper or fibre installations

# Cabinet Vertical Cable Management

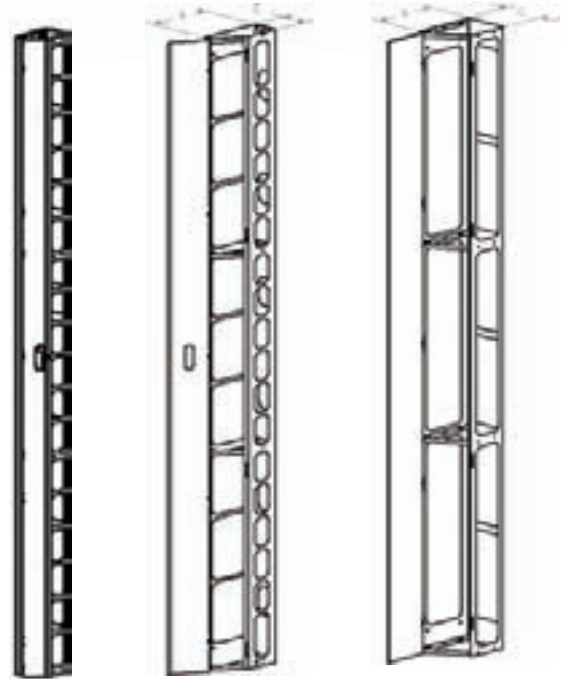
Systèmes

**CableTalk**<sup>®</sup>  
Systems Inc.

## Standard Dimensions

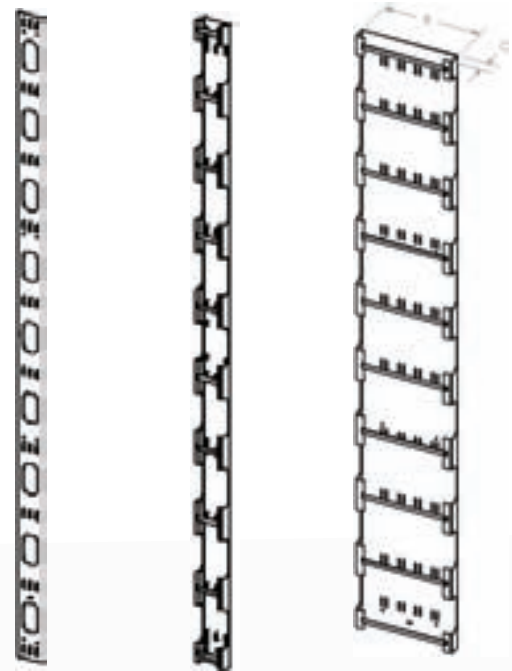
### Channel Cable Management System

Part No.	Style	Cabinet Width	Width (Inches)	Depth (Inches)	Height (Inches)
CTC3-CMS-11-B	Narrow	30"	5	3.25	83
CTC3-CMS-12-B	Deep	30"	9	3.5	83
CTC3-CMS-13-B	High Density	30"	8.5	6	83



### Backbone Cable Management System

Part No.	Style	Cabinet Width	Width (Inches)	Depth (Inches)	Height (Inches)
CTC3-CMS-30-B	Flat vertical manager	All	4	0.25	83
CTC3-CMS-33-B	Ladder vertical manager	All	4	1.5	83
CTC3-CMS-34-B	Ladder vertical manager	All	12	2	83



# Horizontal Cable Management

## Product Features

### Finish

- Black smooth paint finish

### Structure

- Fabricated of 16 GA (0.060") steel
- All managers mount in 19" EIA standard mountings
- Designed to hide and organize cabling.

## Options

- Available in standard, fingered and D-ring styles for cabinet or rack mountings
- Standard style available in 1-4 U-space
- Fingered available in 1-3 U-space
- D-ring available in 1 or 2 U-space
- Overhead management components are available for the Legacy and High Density Ganged Solutions

## Standard Dimensions

### Standard Horizontal Manager

Part No.	Depth (Inches)	U-space
CTH-CMS-1M-B	3	1
CTH-CMS-2M-B	3	2
CTH-CMS-3M-B	3	3
CTH-CMS-4M-B	3	4



CTH-CMS-2M-B



CTH-CMS-1M-B

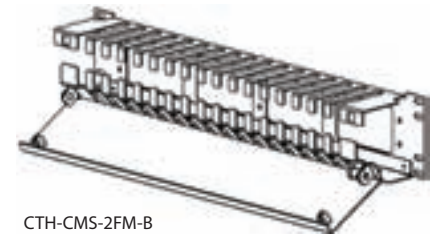
\* CTH-CMS-3M-B,  
CTH-CMS-4M-B not shown

### Fingered Horizontal Manager

Part No.	Depth (Inches)	U-space
CTH-CMS-1FM-B	3	1
CTH-CMS-2FM-B	3	2
CTH-CMS-3FM-B	3	3



CTH-CMS-1FM-B  
Shown w/ door closed



CTH-CMS-2FM-B  
Shown w/ door open

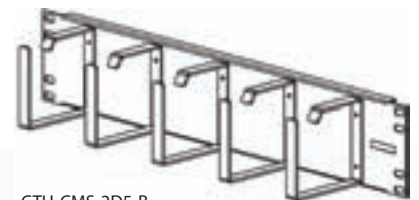
\* CTH-CMS-3FM-B not shown

### D-Ring Horizontal Manager

Part No.	Depth (Inches)	U-space
CTH-CMS-1D5-B	3	1
CTH-CMS-2D5-B	3	2



CTH-CMS-1D5-B



CTH-CMS-2D5-B

# Horizontal Cable Management

## Standard Dimensions

### Overhead Management for Legacy Ganged Racks

Part No.	Description	Width (Inches)	Depth (Inches)	Height (Inches)
CTH-CMT-29-B	Horizontal Overhead Cable Mgmt	29	4.8	5.8
CTH-CMT-32-B	Horizontal Overhead Cable Mgmt	32	4.8	5.8
CTH-CMT-37-B	Horizontal Overhead Cable Mgmt	37	4.8	5.8
CMS-EXT-24-B	Cable Chimney	5.8	4.8	24
CMS-EXT-36-B	Cable Chimney	5.8	4.8	36
CMS-EXT-UF-B	Universal Foot (use with CMS-16/CMS-17)	N/A	N/A	N/A



CMS-EXT-UF



CTH-CMT-32-B



CMS-EXT-36-B

## Standard Dimensions

### Overhead Management for High Density Ganged Solution

Part No.	Description	Width (Inches)	Depth (Inches)	Height (Inches)
CTH-CMT-21-B	Overhead Manager	21.5	8	6.5
CTH-CMT-EC-B	End Cap	6.5	8	6.5
CTH-CMT-GP-B	Ganging Plate	5.5	8	6.5
CTR-EXT-24-B	Overhead series cable chimney	6.5	8	24
CTR-EXT-36-B	Overhead series cable chimney	6.5	8	36



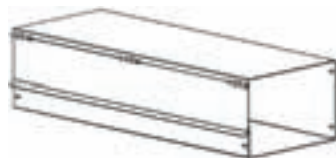
CTH-CMT-GP-B



CTH-CMT-EC-B



CTR-EXT-24-B



CTH-CMT-21-B



# Rack Cable Management

Systèmes

**CableTalk**  
Systems Inc.



## Product Features

### Finish

- Black textured paint finish

### Structure

- Fabricated of 16 GA (0.060") steel, with 13 GA (0.090") stiffeners, riveted inside
- Cable Manager with large profile for maximum wiring capacity
- Opening for termination cable and patch panel access
- Magnetic snap doors ensure positive closure
- Vertical holes at rear for external cable ties, suitable for up to 1" cable ties
- Mounts easily on left or right sides of racks



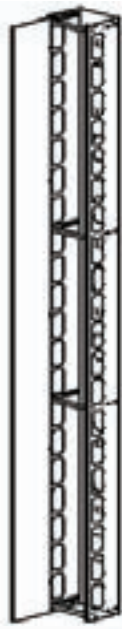
## Standard Dimensions

### Channel Cable Management System

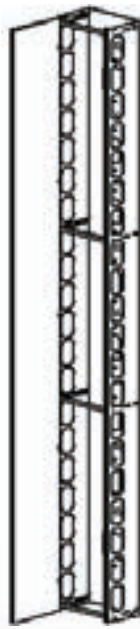
Part No.	Description	Width A (Inches)	Depth B (Inches)	Height C (Inches)
CTR-CMS-14-B	Channel Style	5	6	48
CTR-CMS-16-B	Channel Style	5	6	83
CTR-CMS-17-B	Channel Style	7.5	6	83
CTR-CMS-19-B	Channel Style	9.5	6	83
CTR-CMS-22-B	Channel Style	12	6	83
CTR-CMS-24-B	D-Ring Style	6	3	83
CTR-VCMS-77-B	High Density Channel Style	6.5	8	83



CTR-CMS-16-B



CTR-CMS-17-B



CTR-CMS-19-B



CTR-CMS-22-B



CTR-CMS-24-B



CTR-VCMS-77-B

# Modular Furniture Frames

Systèmes

**CableTalk**<sup>®</sup>  
Systems Inc.



## Product Features

- Steel frame
- Comes standard in gray paint
- Comes with single sided feet
- Feet have adjustable height

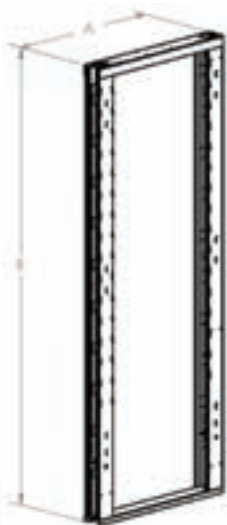
## Options

- Available in different widths
- Available with single sided or double sided feet

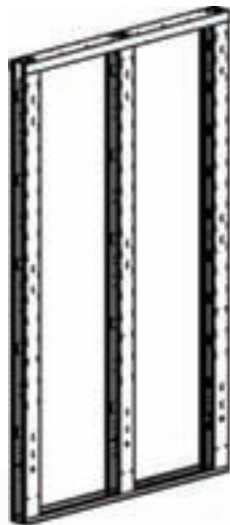
## Standard Dimensions

### Modular Furniture Frames

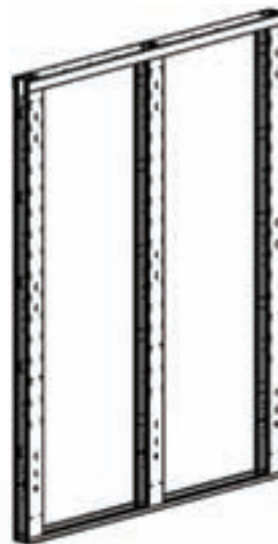
Part No.	Width (Inches)	Depth (Inches)	Height (Inches)
MR3-3033-G	30	33	81
MR3-3633-G	36	33	81
MR3-4833-G	48	33	81
MR3-6033-G	60	33	81
MR3-7233-G	72	33	81



MR3-3033-B



MR3-4833-B



MR3-6033-B

# Modular Furniture Frame

## Standard Dimensions

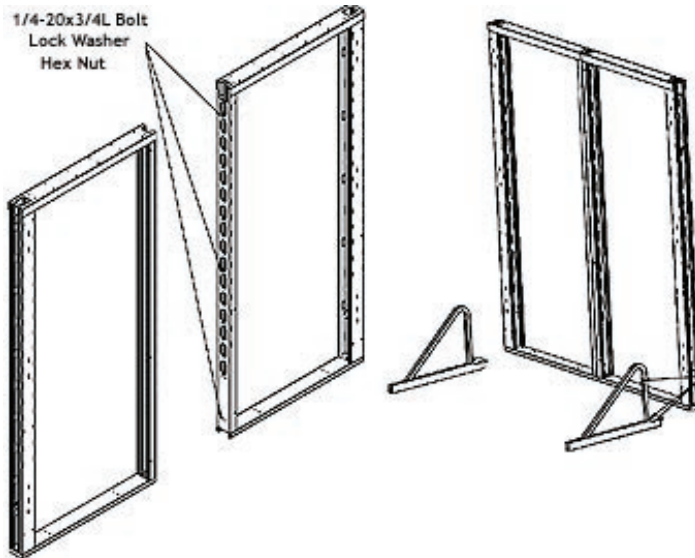
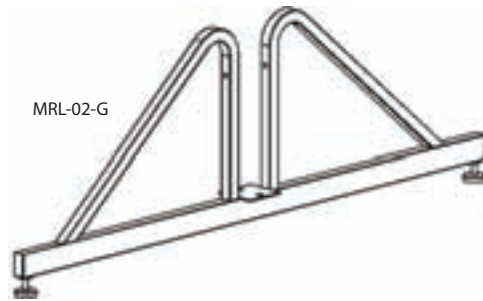
### Modular Furniture Frame Legs

Part No.	Description	Depth
MRL-01-G	STANDARD RACK LEGS	33
MRL-02-G	STANDARD RACK DOUBLE SIDED LEGS	66

MRL-01-G



MRL-02-G



# Modular Tabletops

Systèmes

**CableTalk**<sup>®</sup>  
Systems Inc.



## Product Features

### Structure

- Tabletops fabricated from black abrasion resistant surface thermally fused to 1" thick industrial grade engineered wood panel for high degree of durability
- Edges finished with Charcoal Grey durable PVC extrusion
- Corners are rounded for improved durability
- Brackets constructed of rugged 11 GA (0.120") steel to provide stability
- Durable grey textured powder paint finish on the brackets

## Options

- Keyboard shelf available by request
- For 48" wide or larger, multiple keyboard shelves may be installed

## Standard Dimensions

### Modular Tabletops

Part No.	Width (Inches)	Depth
MRTT-3028-G	30	28
MRTT-3628-G	36	28
MRTT-4828-G	48	28
MRTT-6028-G	60	28
MRTT-7228-G	72	28



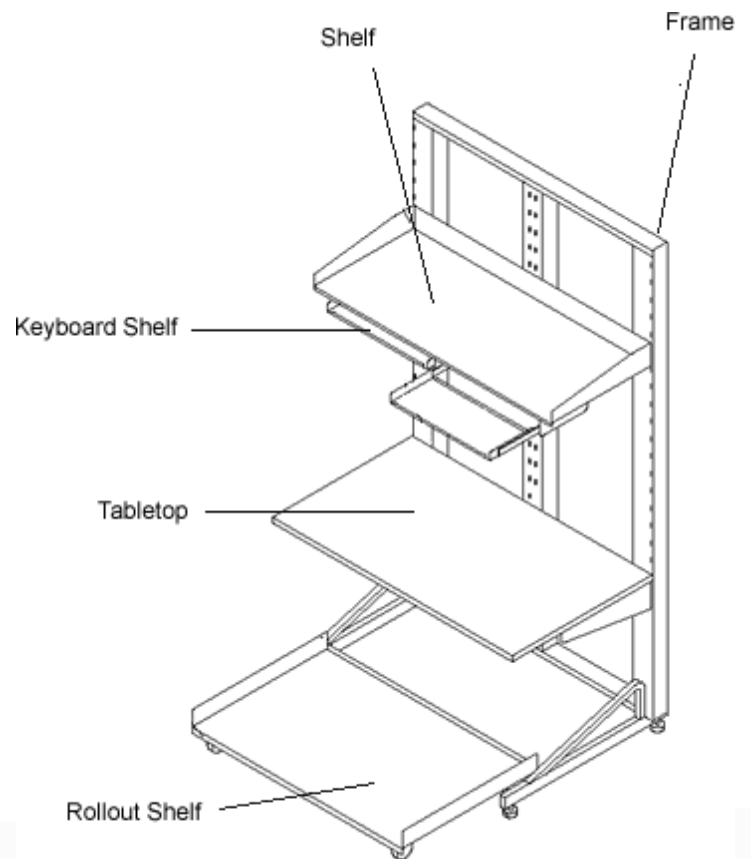
MRTT-3028-G



MRTT-4828-G



MRTT-6028-G



# Modular Shelves

Systèmes

**CableTalk**  
Systems Inc.



## Product Features

### Finish

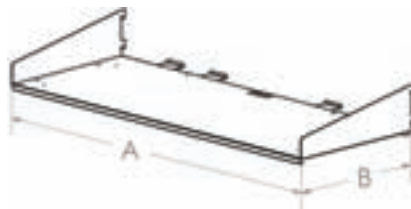
- Durable grey textured powder paint finish

### Structure - Shelves

- Shelf constructed of 16GA (0.060") steel
- Stiffeners added through spot-welding at the bottom for extra strength
- Easy-install knock-down format
- Customer assembly required

### Structure – Roll-out shelf

- Stiffeners added through spot-welding at the bottom for extra strength
- Sits on floor, rolls out for added storage



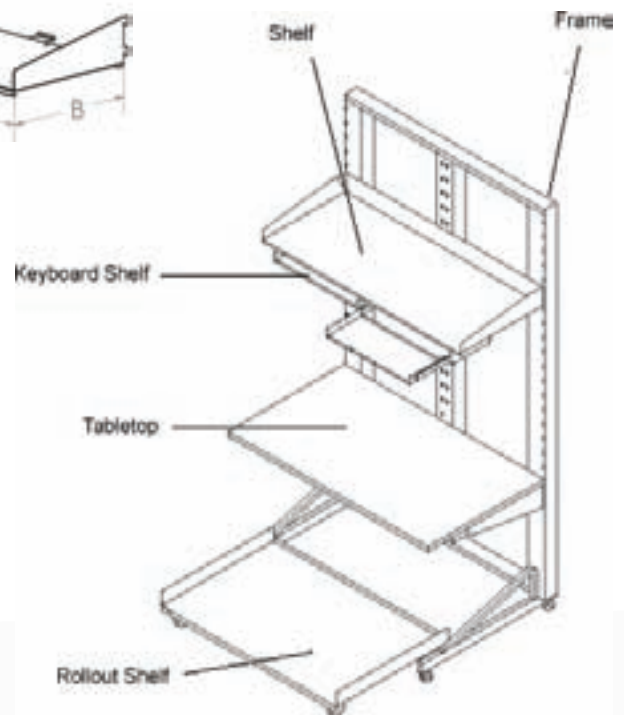
## Standard Dimensions

### Modular Shelves

Part No.	Width A	Depth B
MRS-2918-G	29	18
MRS-3518-G	35	18
MRS-4718-G	47	18
MRS-6018-G	47	18
MRS-7218-G	47	18

### Rollout Shelf

Part No.	Width	Depth
MRROS-2327-G	23	27
MRROS-2927-G	29	27
MRROS-4127-G	41	27



# Modular Keyboard Shelf

Systèmes

**CableTalk**<sup>®</sup>  
Systems Inc.



## Product Features

### Finish

- Durable grey textured powder paint finish

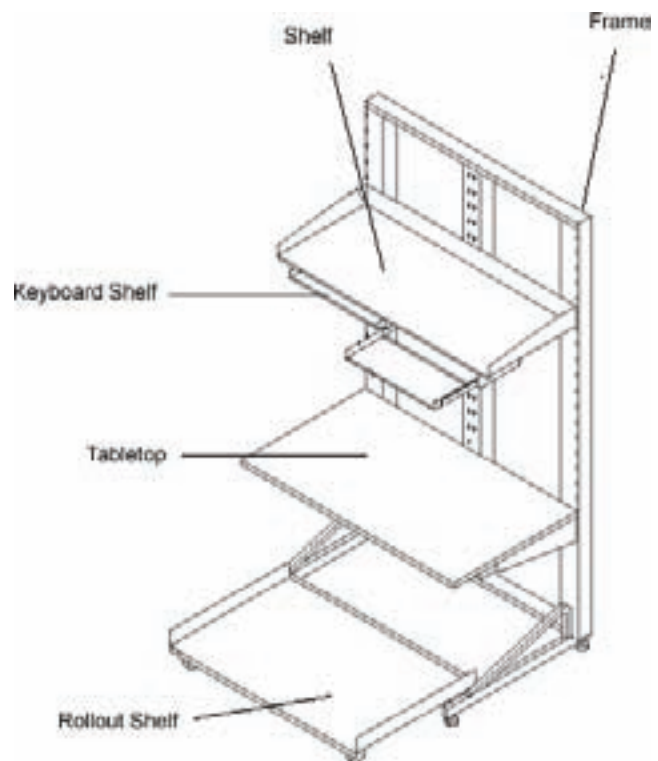
### Structure

- Constructed of 16GA (0.060") steel
- Heavy-duty ball bearing slides
- Adjustable mounting brackets
- Accommodates 19.75" long standard keyboards, full extension slides and integrated pull handle

## Standard Dimensions

### Modular Keyboard Shelf

Part No.	Width (Inches)	Depth (Inches)	Height (Inches)
MKBS-208.5-G	20.5	8.5	2.75



# Modular Accessories

Systèmes

**CableTalk**<sup>®</sup>  
Systems Inc.



## Product Features

### Finish

- Durable grey textured powder paint finish

### Structure

- Constructed of 16GA (0.060") steel

## Options

- Horizontal or vertical power bar mount

## Standard Dimensions

### Modular Accessories

Part No.	Width	Styles
MPB-UNI-G	1.75	Mounts all 19" Horizontal power bars
MPBC-2-G	1	Mounts all 8 and 12 outlet vertical
MSBB-UNI-G	3	Universal shelf back bracket for books

# Horizontal Power Bars

Systèmes

**CableTalk**  
Systems Inc.



Close-Up  
Switch Disabled Option  
& Standard Switch

## Product Features

### Finish

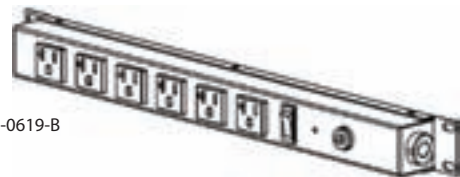
- Black smooth powder paint finish

### Structure

- Fabricated from 18 GA (0.048") steel.
- Slim profile power bars mount into 19" EIA cabinet frames or network racks
- Features breaker protection with reset button, three-stage surge protection, three-prong power cord and power outlets.
- Illuminated power switch showing power "ON".
- Comes standard with a 7' power cord
- Comes standard in 15 amp capacity

## Options

- Available in 20 Amp
- 15' power cord available
- Twist lock plug available
- Switch-disabled option available
- Shielded cord available on request



CTPBH-0619-B

## Standard Dimensions

### Horizontal Power Bars

Part No.	Amperage	Outlets	Height (Inches)	Options
CTPBH-0619-B	15	6	1	7' cord
CTPBH-0619-15-B	15	6	1	15' cord
CTPBH-0619-SD-B	15	6	1	7' cord, switch disabled
CTPBH-0619-SD-15-B	15	6	1	15' cord, switch disabled
CTPBH-0619-TL-B	15	6	1	7' cord, twist lock plug
CTPBH-0619-TL-15-B	15	6	1	15' cord, twist lock plug
CTPBH-0619-ST-B	15	6	1	7' cord, switch disabled, twist lock plug
CTPBH-0619-ST-15-B	15	6	1	15' cord, switch disabled, twist lock plug
CTPBH-0619-20A-B	20	6	1	7' cord
CTPBH-0619-20A-SD-B	20	6	1	7' cord, switch disabled
CTPBH-0619-20A-SD-15	20	6	1	15' cord, switch disabled
CTPBH-0619-20A-ST-B	20	6	1	7' cord, switch disabled, twist lock plug
CTPBH-0619-20A-ST-15	20	6	1	15' cord, switch disabled, twist lock plug



# Vertical Power Bars

Systèmes

**CableTalk**  
Systems Inc.



## Product Features

### Finish

- Black smooth powder paint finish

### Structure

- Fabricated from 18 GA (0.048") steel.
- Slim profile power bars mount into 19" EIA cabinet frames or network racks
- Breaker protection with reset button, three-stage surge protection, three prong power cord and power outlets.
- Illuminated power switch showing power "ON".
- Comes standard with a 7' power cord
- Comes standard in 15 amp capacity

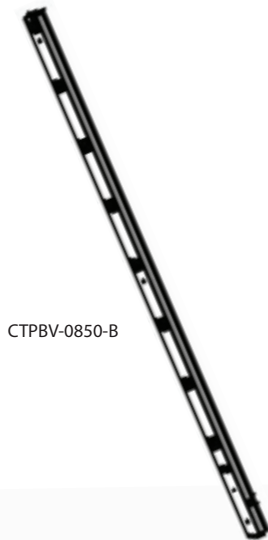
## Standard Dimensions

### Vertical Power Bars

Part No.	Amperage	Outlets	Height (Inches)	Options
CTPBV-0850-B	15	8	50	7' cord
CTPBV-0850-15-B	15	8	50	15' cord
CTPBV-0850-SD-B	15	8	50	7' cord, switch disabled
CTPBV-0850-SD-15-B	15	8	50	15' cord, switch disabled
CTPBV-0850-TL-B	15	8	50	7' cord, twist lock plug
CTPBV-0850-TL-15-B	15	8	50	15' cord, twist lock plug
CTPBV-0850-ST-B	15	8	50	7' cord, switch disabled, twist lock plug
CTPBV-0850-ST-15-B	15	8	50	15' cord, switch disabled, twist lock plug
CTPBV-0850-20A-B	20	8	50	7' cord
CTPBV-0850-20A-ST-B	20	8	50	7' cord, switch disabled, twist lock plug
CTPBV-1029-B	15	10	29	7' cord
CTPBV-1029-15-B	15	10	29	15' cord
CTPBV-1029-SD-B	15	10	29	7' cord, switch disabled
CTPBV-1029-SD-15-B	15	10	29	15' cord, switch disabled
CTPBV-1029-ST-B	15	10	29	7' cord, switch disabled, twist lock plug
CTPBV-1029-ST-15-B	15	10	29	15' cord, switch disabled, twist lock plug
CTPBV-1029-TL-B	15	10	29	7' cord, twist lock plug
CTPBV-1029-TL-15-B	15	10	29	15' cord, twist lock plug
CTPBV-1029-20A-SD-B	20	10	29	7' cord, switch disabled
CTPBV-1029-20ASD-15B	20	10	29	15' cord, switch disabled
CTPBV-1029-20A-ST-B	20	10	29	7' cord, switch disabled, twist lock plug
CTPBV-1029-20AST-15B	20	10	29	15' cord, switch disabled, twist lock plug
CTPBV-1277-B	15	12	77	7' cord
CTPBV-1277-15-B	15	12	77	15' cord
CTPBV-1277-SD-B	15	12	77	7' cord, switch disabled
CTPBV-1277-SD-15-B	15	12	77	15' cord, switch disabled
CTPBV-1277-ST-B	15	12	77	7' cord, switch disabled, twist lock plug
CTPBV-1277-ST-15-B	15	12	77	15' cord, switch disabled, twist lock plug
CTPBV-1277-TL-B	15	12	77	15' cord, twist lock plug
CTPBV-1277-20A-B	20	12	77	7' cord
CTPBV-1277-20A-SD-B	20	12	77	7' cord, switch disabled
CTPBV-1277-20A-ST-B	20	12	77	7' cord, switch disabled, twist lock plug
CTPBV-1277-20AST-15B	20	12	77	15' cord, switch disabled, twist lock plug

## Options

- Available in 20 Amp
- 15' power cord available
- Twist lock plug available
- Switch-disabled option available
- Shielded cord available on request



CTPBV-0850-B

# Metered Power Bars



NGPMH-0619-B

## Product Features

### Finish

- Black smooth powder paint finish

### Structure

- Fabricated from 18 GA (0.048") steel
- Slim profile power bars mount into 19" EIA cabinet frames or network racks
- Digital display of real time amperage to assist with proper power distribution. This visual display prevents overloading when adding additional network devices
- Breaker protection with reset button for ease of resetting in the event of an overload
- Three-stage surge protection, for complete protection of all types of power surges
- Three prong power cord and multiple power outlets.
- Illuminated power switch showing power "ON"
- Comes standard with a 7' power cord
- Comes standard in 15 amp capacity

## Options

- Available in 20 Amp
- Available in stainless steel
- 15 ft power cord available
- Twist lock plug available
- Switch-disabled option available
- Shielded cord available on request

## Standard Dimensions

### Horizontal Metered Power Bars

Part No.	Amperage	Outlets	Height (Inches)	Options
NGPIH-0619-B	15	6	1U Space	7' cord, usage indicator
NGPMH-0619-B	15	6	1U Space	7' cord. LED metered reading
NGPMH-0619-15-B	15	6	1U Space	15' cord. LED metered reading
NGPMH-0619-20A-B	20	6	1U Space	7' cord. LED metered reading
NGPMH-0619-20A-15-B	20	6	1U Space	15' cord. LED metered reading

### Vertical Metered Power Bars

Part No.	Amperage	Outlets	Height (Inches)	Options
NGPMV-1277-B	15	12	77	7' cord. LED metered reading
NGPMV-1277-15-B	15	12	77	15' cord. LED metered reading
NGPMV-1277-20A-B	20	12	77	7' cord. LED metered reading
NGPMV-1277-20A-15-B	20	12	77	15' cord. LED metered reading

# Shielded Cord Power Bars

Systèmes

**CableTalk**  
Systems Inc.



NGPSH-0619-B



## Product Features

### Finish

- Black smooth powder paint finish

### Structure

- Fabricated from 18 GA (0.048") steel.
- Slim profile power bars mount into 19" EIA cabinet frames or network racks
- Features breaker protection with reset button, three-stage surge protection, three-prong power cord and power outlets.
- Illuminated power switch showing power "ON".
- Comes standard with a 7' power cord
- Comes standard in 15 amp capacity
- Shielded Cord features a 300V capacity, 100% coverage aluminum foil - polyester tape shield, 7x28 AWG tinned copper drain wire (20 AWG), and a durable PVC outer coating

## Options

- Available in 20 Amp
- 15' power cord available

## Standard Dimensions

### Horizontal Shielded Cord Power Bars

Part No.	Amperage	Outlets	Height (U-space)	Options
NGPSH-0619-B	15	6	1	7' cord, shielded cord
NGPSH-0619-15-B	15	6	1	15' cord, shielded cord
NGPSH-0619-20A -B	20	6	1	7' cord, shielded cord
NGPSH-0619-20A -15-B	20	6	1	15' cord, shielded cord

### Vertical Shielded Cord Power Bars

Part No.	Amperage	Outlets	Height (Inches)	Options
NGPSV-1277-B	15	12	77	7' cord, shielded cord
NGPSV-1277-15-B	15	12	77	15' cord, shielded cord
NGPSV-1277-20A B	20	12	77	7' cord, shielded cord
NGPSV-1277-20A -15-B	20	12	77	15' cord, shielded cord

# Grounding Bar and Bus Bars

Systèmes

**CableTalk**<sup>®</sup>  
Systems Inc.

## Product Features

### Structure

- Rack mount copper grounding bar
- Fits 19" rack



## Standard Dimensions

### Grounding bar

Part No.	Name	Width (Inches)
CT-GB-1906-CU	Copper grounding bar	19" EIA

## Product Features

### Structure

- Bright tin, 200 Micro inches minimum plating with Glastic standoff insulators
- 2700 Volt rated
- 180 seconds of arc resistance
- UL 94 V-O flame resistance
- Mounting holes 0.312" diameter
- Available in 2 or 4 inch width
- 10" length
- Hardware: - ¼-20x0.75" length stainless steel Phillips machine screw (12 pcs.)
  - ¼ stainless steel lock washer (12 pcs.)
  - ¼-20 stainless steel hex nut (12 pcs.)



## Standard Dimensions

### Copper Bus Bars

Part No.	Name	Width (Inches)
CT-GIBB2X10X12	Copper bus bar	2"
CT-GIBB4X10X12	Copper bus bar	4"

# Utility Power Distribution Strip



## Product Features

### Finish

- Black smooth powder paint finish

### Structure

- Fabricated from 18 GA (0.048") steel.
- Slim profile power bars mount into 19" EIA cabinet frames or network racks
- No noise filter and surge protection (MOVs)
- Illuminated light showing power "ON".
- Comes standard with a 6' power cord and straight blade plug
- Comes standard in 15 amp capacity

## Standard Dimensions

### Utility Power Distribution Strip

Part No.	Amperage	Outlets	Height (U-space)	Cord Length
CTPBH-0619U-B	15	6	1	6' cord

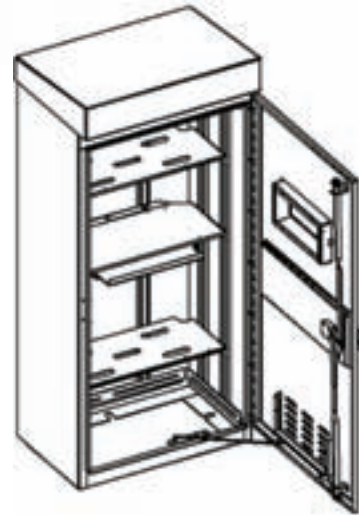
## Comparison of 6 outlet power strip and bars

Part No	Description	Amperage	U-Space	Cord Length	Switch-Disabled	Option: Twist Lock
CTPBH-0619U-B	Utility 6 Outlet Power Strip	15	1-U	6 ft	✓	n/a
CTPBH-0619-B	6 Outlet Power Bar	15	1-U	7 ft	n/a	✓
CTPBH-0619-SD-B	6 Outlet Power Bar with switch disabled	15	1-U	7 ft	✓	✓

# Traffic Enclosures

Systèmes

**CableTalk**<sup>®</sup>  
Systems Inc.



## Product Features

### Finish

- High resistant powder paint available in a number of colours
- Natural aluminum

### Structure

- Constructed of 1/8" thick 5052 aluminum
- NEMA style for outdoor applications
- Manufactured consistent with NEMA 4 specifications
  - Sloped roof for rain runoff
  - Integrated rain channel over door to keep water from entering the enclosure
- All vented openings have varmint-proof screens
- Key lockable main door equipped with 3-point latching mechanism. Can be supplied with integrated padlock hasp.
- Key lockable police door provides restricted access
- Cabinets are equipped with a standard 2-position wind stay
- Main door features a continuous stainless steel piano hinge and tamper proof door screws

## Options

- Custom silk-screening is available through our in-house facility
- Available in standard sizes or custom to accommodate specific equipment configurations
- Flexible mounting options – pole, base or pedestal.
- Variety of mounting rail and back panel options to accommodate most equipment requirements
- Ventilated or solid shelves are available
- Also available value-added services for pre-wire or pre-configure of cabling or equipment needs

## Standard Dimensions

### Traffic Enclosures

Size	Width (Inches)	Depth (Inches)	Height (Inches)
G	24.5	17.25	40
M	30.25	16.88	49
M Special	30.25	16.88	60
P	44.25	26	55
P Special	38.25	26	55
R	44.25	26	76.75
O	30.25	24.75	67
F	17.5	15	26

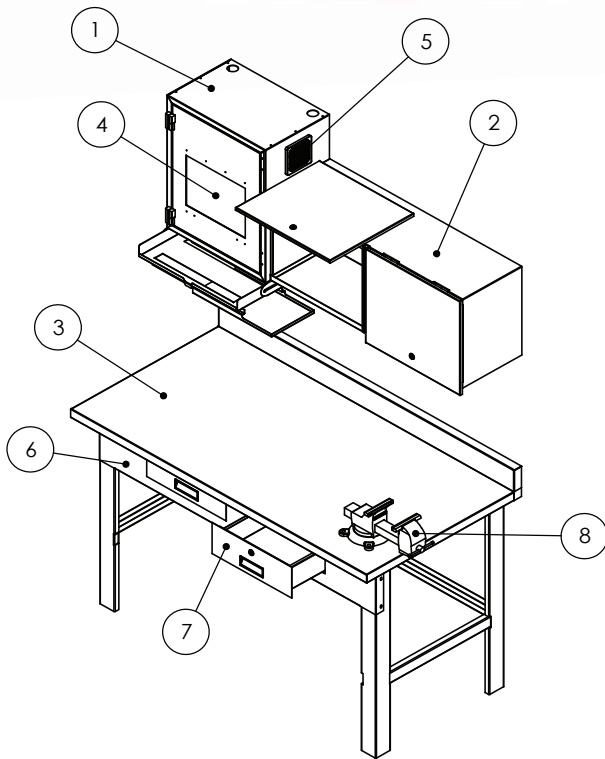
Note 1: Custom sizes also available.

Note 2: Also available in a High Density Urban model (extra-tall, small footprint design)

# ShopTalk Workbench

Systèmes

**CableTalk**<sup>®</sup>  
Systems Inc.



All items sold separately

No.	Part No.	Desc.	Qty
1	CTWS-OH6016	OVERHEAD COMPUTER MODULE	1
2	CTWS-OH3916	OVERHEAD 2 DOOR STORAGE	1
3	CTWS-IT3260-SS	WORKBENCH	1
4	CT-S9154OW	15" LCD TOUCH SCREEN	1
5	CTC-FA-1	100 CFM FAN	1
6	CTWS-2PDFS	FRONT SKIRT FOR 2 DRAWER	1
7	CTWS-PD2426	PULL OUT DRAWER	2
8	CT-57-9005-2	OPTIONAL 5" VISE	1

## NOTES:

OVERHEAD 2 DOOR STORAGE COMES IN A 3 DOOR  
FRONT SKIRT COMES IN A SINGLE DRAWER OPTION

## Options

- Keyed locks on drawers and cabinets available keyed differently, keyed alike, or keyed with master key. Core removal system allows for easy re-key on site
- Optional industrial PC
- Optional surge protection and power distribution
- Optional touch screen available

## Product Features

### Finish

- Durable, smooth polyester powder coat finish, choice of colors available, blue standard
- Corrosion resistant

### Design

- Designed for small to large industrial workstations, offering a clean and organized area to fulfill computer and storage requirements, as well as a durable working surface

### Structure – Work Bench

- Heavy duty welded frame
- 1.5" Stainless steel top with welded corners, encompasses 1" thick MDF panel
- Top includes backstop
- Feet have provisioning for floor anchors
- Option for up to two large, 75 lb capacity lockable drawers
- Available with or without fascia, or with fascia to accommodate one or two drawers
- Includes provisioning for optional shop vise

### Structure – Wall Mount Cabinets

- Galvanized lower sub floors for corrosion resistance to spills
- Lockable doors
- Storage cabinet doors swing upwards for tidiness
- Various lengths available

### Structure – Wall Mount Computer Cabinet

- Fits standard tower PC case
- Lockable door
- Built-in retractable keyboard tray with retractable oversized mouse pad



# Product Part ID

Systèmes

**CableTalk**<sup>®</sup>  
Systems Inc.

## Product ID:

CT	CableTalk
C	Cabinet
CMS	Cable Management System
CMT	Cable Management Tray
CTH	Cable Talk Horizontal
CTOCT	CableTalk Cable Tray
EXT	Extension
FA	Fan Assembly
FP	Filler Panel
KBS	Keyboard Shelf
MA	Mounting Angles
MR	Modular Rack
MRL	Modular Rack Leg
PBH	Power Bar Horizontal
PBV	Power Bar Vertical
R	Rack
RM	Rack Manager
ROS	Roll out Shelf
S	Shelf
TT	Table Top
W	Wallmount cabinet
WH	Wallmount Hinged
WB	Wall Brackets

## Color Codes

B	Black
CW	Cloud White
G	Grey

## Style

01	Lexan Window Door
01PF	Perforated Door
02	Lexan Door w/ Push Button Lock
06	Solid Door
08	Louvered Door
11	Side Panel
CT	Cable Trough
D5	D-ring Horizontal Manager
DS	Double Sided
DSO	Double Swing Out
F	Fixed
FL	Fibre Loop
FM	Finger Manager
GS(#)	Ganged Racks #1 - 7
HDB	Heavy Duty Base
KD	Knock Down
M	Standard Manager
R	Retractable
SD	Switch Disabled
ST	Switch Disabled and Twist Lock
SO	Swing Out
TL	Twist Lock

## Examples of how part numbers are put together:

### Cabinet Frames

#### **CT Cabinet (Height) - Width & Depth - Colour**

CTC3-3030-B  
CableTalk, Cabinet, 83"High, 30"Wide X 30"  
Deep, Black

CTC72-3036-B  
CableTalk, Cabinet, 72"High, 30"Wide X 36"  
Deep, Black

#### **CT Cabinet (Height) - Width, Depth & Kit - Kit number - Colour**

CTC3-3036K-02-B  
Cable Talk, Cabinet, 83" High, 30" Wide x 36"  
Deep, Kit, Kit Number 02, Black



# Product Part ID

Systèmes

**CableTalk**<sup>®</sup>  
Systems Inc.

## Doors / Side Panels

**CT Cabinet (Height) - Width - Door Style - Colour**

CTC3-26-01-B  
CableTalk, Cabinet, 83"High, 26"Wide, Lexan  
Door, Black

CTC3-24-06-B  
CableTalk, Cabinet, 83" High, 24" Wide, Solid  
Door, Black

CTC3-36-11-B  
CableTalk, Cabinet, 83" High, 36" Wide, Side  
Panel, Black

## Shelves

**CT Cabinet Shelf - Fixed Adjustable - Width & Depth - Colour**

CTCS-FAJ-1822-B  
CableTalk, Cabinet, Shelf, Fixed Adjustable,  
18"Wide, Mounting Depth, Black

**CT Rack Shelf - Fixed - Width & Depth - Colour**

CTRS-F-1811-B  
CableTalk, Rack, Shelf, Fixed, 18"Wide,  
11"Deep, Black

## Vertical Cable Manager

**CT Cabinet (Height) - CMS - code - colour**

CTC3-CMS-11-B  
CableTalk, Cabinet, For 83"High Cabinets,  
Cable Management System, Narrow, Black

## Horizontal Cable Manager

**CT Horizontal - CMS - U-space & Style Code - colour**

CTH-CMS-1M-B  
Cable Talk, Horizontal, Cable Management  
System, 1 U space, Standard Manager, Black

CTH-CMS-3FM-B  
Cable Talk, Horizontal, Cable Management  
System, 3 U space, Finger Manager, Black

# Product Part ID

Systèmes

**CableTalk**<sup>®</sup>  
Systems Inc.

## Racks

<b>CT Rack - Width &amp; Usable Height - Double Sided - Colour</b>	CTR-1977DS-B CableTalk, Rack, 19"EIA, 77" High, Double Sided Tapped Mounting Holes, Black
<b>CT Rack Management - Width &amp; Usable Height - Double Sided - # of Cable Managers - Colour</b>	CTRM-1977-DS-2-B CableTalk, Rack, 19"EIA, 77" High, Double Sided Tapped Mounting Holes, 2 Cable Managers, Black
<b>Ganged System &amp; # of Racks - Width &amp; Usable Height - Double Sided - Colour</b>	GS3-1977-DS-B Ganged System, 3 Racks, 19"EIA, 77" High, Double Sided Tapped Mounting Holes, Black

## Power Bars

<b>CT Power Bar Vertical - # of outlets &amp; Length - Style - Colour</b>	CTPBV-1277-B CableTalk, Power Bar, Vertical, 12 Outlet, 77" Long, Black
<b>CT Power Bar Horizontal - # of outlets &amp; Length - Style - Colour</b>	CTPBH-0619-SD-B Cable Talk, Power Bar, Horizontal, 6 outlets, 19" Long, Switch Disabled, Black

## Modular Furniture

<b>Frames - MR (Height) - Width &amp; Depth - Colour</b>	MR3 - 4833-G Modular Rack, 81" high, 48" wide X 33" deep,
<b>Table Top - MR Table Top - Width &amp; Depth - Colour</b>	MRTT-4828-G Modular Table Top, 30" Wide X 28" Deep, Gray
<b>Shelves - MR Shelf - Width &amp; Depth - colour</b>	MRS-2320-G Modular, Rack, Shelf, 23"Wide, 20"Deep, Grey
<b>MR Roll Out Shelf - Width &amp; Depth - Colour</b>	MRROS-2327-G Modular, Rack, Roll Out Shelf, 23"Wide, 27"Deep, Grey
<b>MR Key Board Shelf - Width &amp; Depth - Colour</b>	MRKBS-208.5-G Modular, Rack, Roll Out Shelf, 20"Wide, 8.5"Deep, Grey

Systemes

**CableTalk**<sup>®</sup>  
Systems Inc.