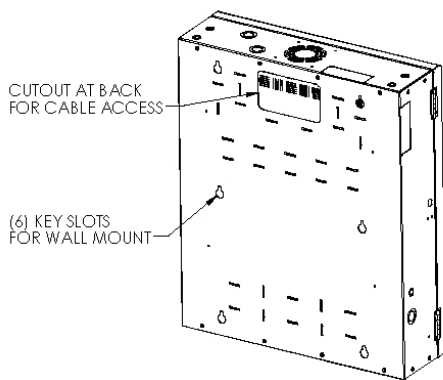
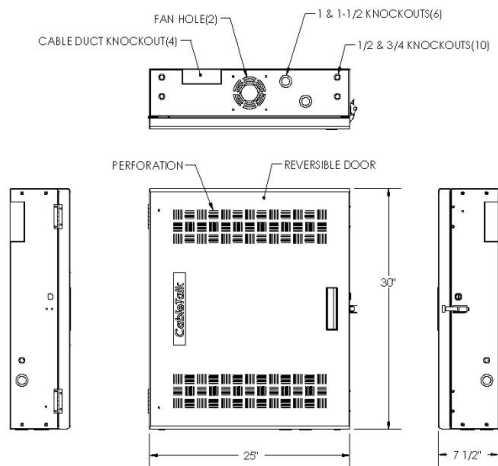


REMOTE PREMISE BOX



Product Features

Finish

- Durable black textured powder paint finish

Structure

- Frame constructed of 16 GA (0.060") steel, fully welded and rigid
- Ventilated front door for thermal management
- Reversible front door
- Key lockable and pad lockable front door
- Capacity for 2 fans to be installed
- Knockouts on top and back panels for cable ducts
- Lances in back panel for cable ties
- Upper bracket available with 2 U-space and 19" EIA mounting

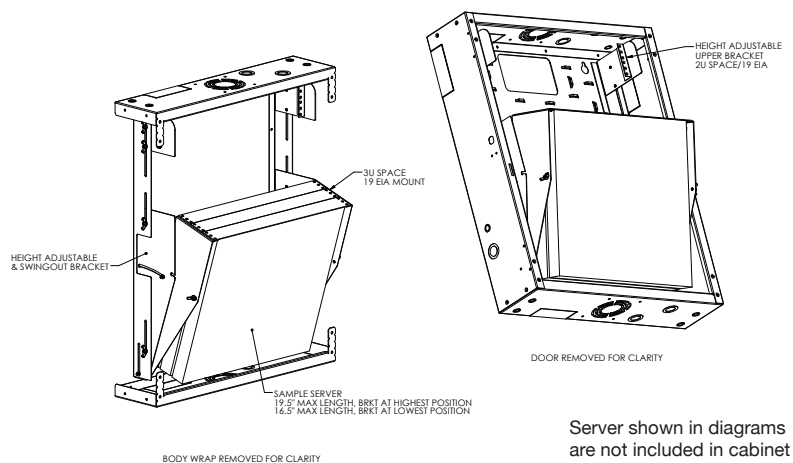
Options

- Enhanced bracket kit allows for height adjustability, 3 U-space and 19" EIA mounting.
- Bracket slides out for easy of access

Standard Dimensions Remote Premise Box

Part No.	Description	Overall Width (Inches)	Overall Depth (Inches)	Overall Height (Inches)
CTCWF-3025-HDB-K01-B	Remote premise box with enhanced bracket kit	25	7	30

Inside View of CTCWF-3025-HDB-K01-B Remote Premise Box with Enhanced Bracket Kit



Server shown in diagrams are not included in cabinet